



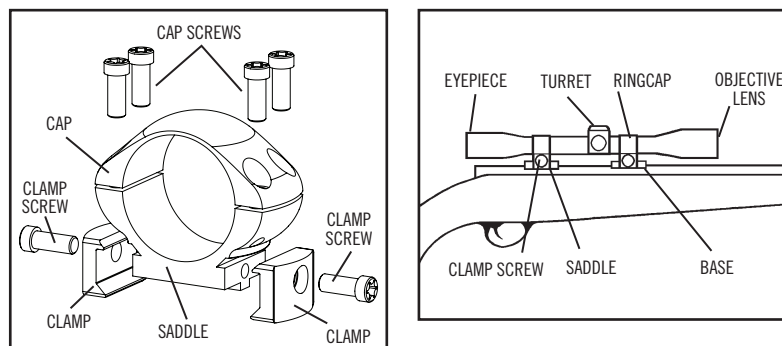
GRAMSLAM STEEL TOP MOUNT WINDAGE ADJUSTMENT RINGS

⚠ WARNING: UNLOAD FIREARMS BEFORE INSTALLATION TO PREVENT SHOOTING ACCIDENTS.

MOUNTING INSTRUCTIONS

- 1. Base(s) (Not Included).** Use the appropriate Weaver® base(s). They are readily available where this product is sold. Refer to each product's specific instructions when mounting.
- 2. Install Rings.** Loosely assemble rings, clamps and clamp screws. Place each ring assembly over base(s) verifying that the recoil lug on the bottom of the ring nests in the slot of the base(s). Make sure the clamp is hooked around the outside ribs of the base(s). Tighten clamp on one side of the ring and then back the screw off approximately 2-1/2 turns. Tighten clamp on the other side of the ring. Repeat the procedure for other ring. The saddle and clamps should be centered on the base. If not, adjust the clamp screws accordingly by slightly loosening one side and then slightly tightening the other side.
- 3. Place In Scope.** Put scope in saddles with turret centered between the rings. Position caps over saddles and align holes. Attach cap screws and tighten to a loose fit. Be sure crosshairs of scope are level and not canted. Be sure turrets are positioned to the top and to the right.
- 4. Set Eye Relief.** Several factors determine proper eye relief. Refer to scope instructions for correct eye relief information.
- 5. Tighten Cap Screws.** Tighten all cap screws with wrench evenly, a little at a time, until the scope is secure. **DO NOT OVER TIGHTEN; OVER TIGHTENING MAY CAUSE MARRING OR DAMAGE TO SCOPE TUBE.** We recommend torque of 20 inch-pounds for cap screws. **For a more accurate reading, use Weaver's Torque Wrench (# 849728).**
- 6. Sight In Scope.** Firearm is now ready to boresight and sight-in. Refer to scope instructions for correct procedures.
- 7. Adjust Rings For Windage.** Make preliminary major windage adjustments to the rings using the torx wrench to adjust the clamp screws. Moving ring left or right the equivalent of a half revolution of the clamp screw will affect the point of impact approximately 20 inches at 100 yards. Remember to adjust the front and rear rings in opposite directions. We recommend torque of 30 inch-pounds for clamp screws.

IMPORTANT: Slight movement of scope or mounts will cause gun to shoot inaccurately. Tighten all base and clamp screws to secure the components. Apply only enough torque to the hardened screw fasteners to prevent movement. Check frequently after firing to be sure there has been no movement of scope or mounts.



NOTE: Gun features may alter ring height requirements.

⚠ WARNING! BEFORE SHOOTING FIREARM, BE SURE SCOPE AND MOUNTS ARE ATTACHED SECURELY AND CORRECTLY ALIGNED FOR ACCURATE SIGHTING. WHEN SHOOTING WITH SCOPE OR IRON SIGHTS, BE SURE BUTTSTOCK OF GUN IS HELD FIRMLY AGAINST THE SHOULDER. FOLLOW SCOPE MANUFACTURER'S INSTRUCTIONS WHEN SETTING EYE RELIEF. DO NOT USE .22 CAL. RIMFIRE SCOPES ON CENTERFIRE RIFLES SINCE EYE RELIEF DISTANCE IS TOO SHORT. FAILURE TO FOLLOW THESE PRECAUTIONS COULD CAUSE PERSONAL INJURY FROM RECOIL TO SHOOTER'S EYE AND/OR HEAD, OR RESULT IN DAMAGE TO SHOOTER'S GLASSES.