

Bushnell®

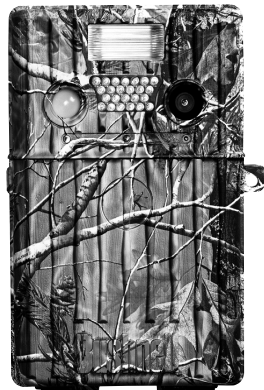
TRAILSCOUT™



Model 119835



Model 119907



Model 119937

LIT. #: 98-1110/02-08

Congratulations on your purchase of the Bushnell® Digital Trail Scout™ Camera! This trail camera is designed to record the activity of wildlife game in the outdoors with its still image and movie modes and weatherproof, rugged construction. This instruction manual is designed to maximize your understanding of how the camera operates.

Bushnell Digital Trail Scout Features (All Models)

One of the most revolutionary advances in scouting technology to date, the Bushnell Digital trail Scout delivers. Boasting one of the most user friendly interfaces in the industry, this trail camera has a positive toggle switch system that instantly tells you what your camera settings are—without fumbling with a confusing software interface! The built-in security system has four levels of security. Every trail Scout comes complete with padlock, cable lock, ratcheting tree bracket for screw attachment, and software password that locks out would-be thieves. The high resolution digital camera delivers crisp views of game in your area and stamps each image with the date, time, your name, and even the moon phase. Along with regular image mode, there is a movie mode for 15 second video clips with audio. The camera will function during day and night, sensing game out to 45 feet. The oversized xenon (standard) flash will reach out to 45 feet. Image delay settings include 30 seconds, 1 minute and 2 minutes. The innovative backlit LCD makes set up a breeze in the field. The trail Scout is weatherproof and rugged. Resolution is user selectable from 3 options so you can prioritize quality vs storage space to best suit your needs. An input for a solar panel accessory (optional) is provided for use with rechargeable batteries to extend the time your camera can remain unattended in the field.

DIGITAL TRAIL SCOUT MODELS

119835—Trail Scout 5.0MP

Great images and scouting technology at a great value. This camera will sense deer and other game as far out as 45 feet with its passive infrared sensor. Low-battery indicator lights when battery life drops below 25%. Motion LED lights when activity is detected by the sensor in regular imaging mode and during setup mode for aiming. Weatherproof. Video Movie mode with audio. Selectable Lo/Med/Hi Resolution (2MP/3MP/5MP*). Date/time/Moon Phase stamp feature. Comes complete with aircraft aluminum security cable, padlock, and ratcheting tree bracket. Power input jack for optional solar panel. Textured “bark-like” surface for maximum concealment.

**5MP Hi Res option via software interpolation, sensor resolution is 3MP*

119937/119907 (RealTree AP® Camo)—Trail Scout Pro 7.0MP with Night Vision & Game Call Module

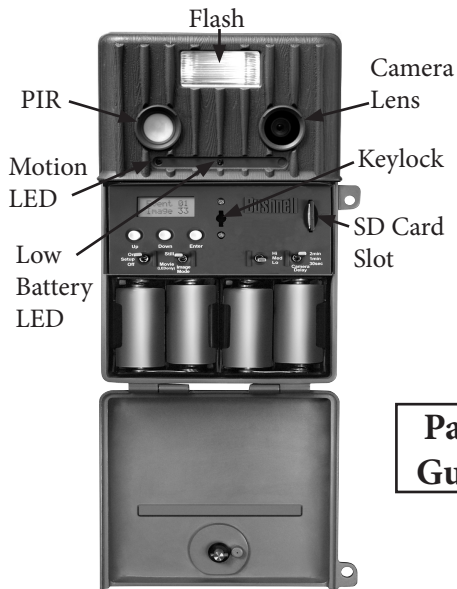
With all the features of the 5.0 MP Trail Scout plus Night Vision and more, this is the top of the line digital trail camera. Still photos are captured with your choice of low, medium or high resolution (3MP/5MP/7MP*), and the video clips include audio collected by a built-in microphone. Choose your setting for regular camera flash or stealth-like LED flash. LED flash enables you to discretely image game in the night without a visible flash. There is no need to worry about your flash giving away your position in popular, busy hunting areas. And no need to manually set an infrared filter switch for day or night mode to get great results—it's done for you automatically. A new feature lets you select from 8 different Game Calls to attract any of a wide variety of animals, with sounding intervals adjustable from 1 to 24 hours. This camera even includes a laser aiming feature for easy set up in the woods. Comes complete with aircraft aluminum security cable, padlock, and ratcheting tree bracket. Power input jack for optional solar panel. Textured “bark-like” surface for maximum concealment.

4 **7MP Hi Res option via software interpolation, sensor resolution is 5MP*

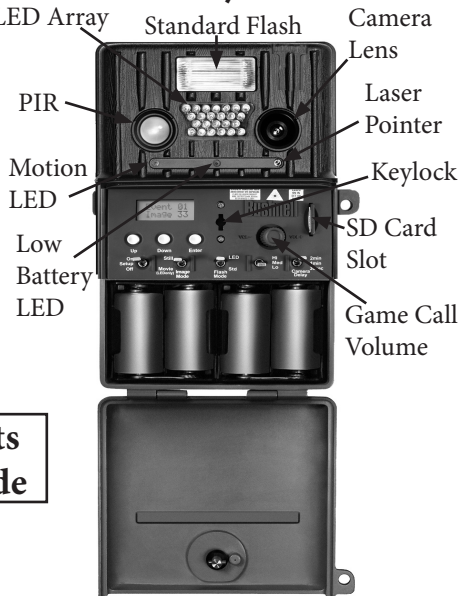
DIGITAL TRAIL SCOUT SPECIFICATIONS

Image Sensor	1/2" CMOS sensor with 3.0 million (119835) or 5.0 million pixels (119907/119937). "Hi" res setting captures images with 5MP (119835) or 7MP (119937/119907) resolution via software processing
Lens	F/3.5, effective focal length 42mm. Sight range: 45 degrees
Flash	High power electronic Xenon Flash or Infrared 24-lamp LED array. Range: 45 ft.
PIR Sensor	Low noise, high sensitivity passive infrared sensor. Range: 45 ft
Motion LED Indicator	Yes
Display	Backlit LCD, 2 rows x 8 characters. Auto-off: 3 min. 2-digit event and image display.
File Format	Still image JPG. Movie images AVI 320x 240 pixels per frame. DCF version 1.0 file management.
Exposure	Auto
White Balance	Auto
Power Supply	4 x "D" cell batteries. Low battery indicator at 25% remaining power. Solar panel (optional) input jack (for use with "D" size NiMh type rechargeable batteries only)
Battery Life	Approximately 30 days (w/standard alkaline batteries). Or ≥6 mo. using solar panel with NiMh rechargeable batteries. (actual battery life will vary with temperature, camera activity and flash usage)
User Password	Yes, available range: 0000 to 9999
Other (119937/119907 only)	Laser pointer, IR LED array for night vision infrared imaging

119835



Infrared 119937/119907



Parts Guide

Switch and Setup Description

119835 Control Panel



K1 K2 K3 K4

Switch #/Function	Switch Position/Setting		
	UP	CENTER	DOWN
K1 (Operating Mode)	On	Setup	Off
K2 (Image Mode)	Still	-	Movie
K3 (Resolution)*	Hi (5MP)	Med (3MP)	Lo (2MP)
K4 (Camera Delay)	2 minutes	1 minute	30 seconds

119937/119907 Control Panel



K1 K2 K3 K4 K5

Switch #/Function	Switch Position/Setting		
	UP	CENTER	DOWN
K1 (Operating Mode)	On	Setup	Off
K2 (Image Mode)	Still	-	Movie
K3 (Flash Mode)	LED	-	Standard (Std)
K4 (Resolution)*	Hi (7MP)	Med (5MP)	Lo (3MP)
K5 (Camera Delay)	2 minutes	1 minute	30 seconds

* affects only still photo resolution (video resolution is preset at 320x240 pixels per frame)

SETUP GUIDE

NOTE (Models 119937/119907 Only): THE LASER POINTER IS ACTIVATED IN THE SET- UP MODE. DO NOT PERMIT THE LASER POINTER TO BE DIRECTED TOWARD ANYONE'S EYES, TO AVOID POTENTIAL EYE INJURY.

Before beginning the setup, insert 4 “D” size alkaline batteries as indicated inside the battery compartment. If you will be using the optional solar panel accessory, be sure to use rechargeable NiMh batteries only.

1. K1 - Mode Switch (OFF / SETUP/ ON) :

- a) **Power ON (UP position):** Set K1 to ON position, The LCD display will show “BUSHNELL” for about 2 seconds.

EVENT nn
IMAGE nn

The LCD will rotate through the DATE\TIME\EVENT&IMAGE displays when pressing the Up and Down keys.

- b) **SETUP Mode [move switch K1 from UP (ON) position to center position]:**

Press Up or Down buttons to scroll through choices of DATE, TIME, NAME,PASSWORD, etc to modify or set these functions. Refer to the next three pages for more details.

- c) **Power OFF:** Set K1 to “Off”, the Trail Scout will be OFF.

For mounting directions, please refer to the manual section titled “Using The Trail Scout” .

Setup Guide (cont.)

(1) **SET DATE:** When the LCD shows Set Date, press the ENTER key to modify the date.

Set Date
09/18/04

Press Up or Down button to select 1-12 then press the ENTER button to confirm the two digit month. The cursor will then move to the day.

Press Up or Down button to select 1-31 then press ENTER to confirm the two digit day. Then the cursor will move to the year.

Press Up or Down button to select 0-99, then press ENTER to confirm the two digit year. From Set Date, press the Down button to set the time.

Note: See "Other Setup Notes" for details on the moon phase stamp feature, which is linked to the date you set here.

(2) **SET TIME:** When the LCD shows Set Time, press the ENTER key to modify the time.

Set Time
06:30 PM

Press Up or Down button to select 1-12, then press ENTER to confirm the two digit hour. Then the cursor will move to the minute.

Press Up or Down button to select 0-59, then press ENTER to confirm the two digit minute. From SET TIME, press the Down button to set the name.

(3) **SET NAME:** When the LCD shows "NO NAME", press ENTER key to modify the

MY NAME
555_1234

name display. Press Up or Down button to select one character from "A" to "Z", "0" to "9", "_", then Press ENTER to confirm, the cursor will move to next character.

There are 2 lines of 8 characters each for your use. From Set Name, press the Down button to change the password.

(4) **SET PASSWORD:**

Password
Set

When the LCD shows PASSWORD, press the ENTER key to set the password.

(4) SET PASSWORD (cont.):

Password
Yes

The LCD will show [Password Yes]. To change the password, press Enter.

If you do not want to set a password, you can press the Up or Down key to select NO.

New Pswd
0 0 0 0

If you selected YES, the LCD shows [New Pswd]. Press the Up or Down key to select the first password digit of 0-9. Press ENTER to confirm, the cursor will move to the next digit to the right. Repeat the process using UP, Down and Enter keys to enter your four digit password. Press ENTER to confirm.

Password
None

If you do not want to set a password when the LCD shows (PW YES) , you can press the U/D button to select No, After pressing the ENTER, the LCD display shows (PW NO), and no password will be set. From Set Password, press the Down button to set Day Time.

(5) SET DAY TIME: *(Note: This setting auto switches an infrared filter-see #4 under "Other Setup Notes")*

When the LCD shows DAY TIME, press ENTER key to set the DAY TIME range. The LCD will show and underscore under the first 2 digits in the DAY TIME mode. Press the up or down keys to set time of 24 hour clock for the specific DAY TIME start hour desired. Press ENTER to set the DAY TIME start time.

Day Time
07 -- 18

Then, underscore will move to the second 2 digits in the DAY TIME mode. Press the up or down keys to set time of 24 hour clock for the specific DAY TIME end hour desired. Press ENTER to set the DAY TIME end time.

Now your DAY TIME is defined (NIGHT is defined as the period between DAY end and start times). If you do not make your own settings for DAY, a default of 6AM~6PM is used.

Example: 07—18 would define DAY as from 7AM to 6PM (6PM=18:00 hours on 24 hr clock).

From Set Day Time, press the Down button to set the next user option.

Setup Guide (cont.)

Sound
Off

(6) SELECT SOUND (119907/119937 only): When the LCD shows SOUND, press the ENTER key to select from the list of 8 different game calls (note that the game call module must be installed for the sound to be audible-see “Attaching the Game Call Module” near the end of this manual). Press the Up or Down button to find the desired game call, then press the ENTER button to confirm the call selection. See “Using the Trail Scout” towards the back of this manual for a detailed description of each call. Select “OFF” if you wish to keep the game call module attached but silent. From Select Game Call SOUND, press the Down button to set the Game Call Interval.

Call
01 Hrs

(7) SET GAME CALL INTERVAL (119907/119937 only): When the LCD shows CALL, press the ENTER key to set the interval at which your selected game call will be sounded, from 1 to 24 hours between each call. Press the Up or Down button to change the hour interval setting. From Set CALL, press the Down button to set the Still Photo Mode.

Photo
Multiple

(8) SET STILL PHOTO MODE (all models): When the LCD shows PHOTO, press the ENTER key to set the Still Photo mode. Press Up or Down button to select Single (only one photo will be taken per event trigger) or Multiple (a series of three photos will be taken per event trigger), then press ENTER to confirm your selection. This is the last user option in the Setup Menu. From Set STILL PHOTO MODE, press the Down button if you wish to begin again with the first item in the Setup Menu, SET DATE. Or, if you are finished with the Setup process and are ready to start using your Trail Scout, simply change K1 to the ON (UP) position and the unit will be operating after a 2 minute delay.

2. K2 – Image Mode Switch (STILL / MOVIE):

Setup Guide (cont.)

Set K2 to either of these settings:

(UP) **STILL Photo Mode:** Image resolution is determined by the setting of the RES switch, and photos are stored in JPG format.

(DOWN) **MOVIE Mode:** The camera can record a 15 second movie, the file format is AVI with audio.

NOTE: *On model# 119835, using MOVIE mode at night will result in dark videos, as the xenon (standard) flash does not function in MOVIE mode. With models 119937/119907, you may use MOVIE mode at night by setting switch K3 (Lighting mode) to the LED position (the standard flash does not function in MOVIE mode on these models either).*

(Models 119937/119907 only) *Note: see #4 in “Other Setup Notes” for additional information.*

3. K3 - Flash Mode Switch (LED / Standard):

The Game camera has two modes that select which flash type will fire under dark conditions:

(a) LED Mode (Infrared LED lamp array):

The IR-LED (infrared) light is invisible to the naked eye, but will provide illumination for the camera, use it when you do not want to alert the subject at night. This mode can also be used for nighttime movie capture. During the time defined as “Night”, an infrared blocking filter is automatically deactivated, so that the IR light generated by the LEDs can create an image. During the “Day”, the infrared blocking filter is re-activated; therefore, you should use the “Standard” or xenon flash position for best results when the camera is set to “Day only” time mode.

(b) STD (Standard) Mode: (Xenon flash tube)

You can use Standard mode for twilight/cloudy conditions, or to take color still pictures at night. If you want to use the MOVIE mode, you can not use Standard flash mode—you must set K3 to LED.

4. K3 (Model 119835) – (Hi/Med/Lo) RESOLUTION:

K4 (Model 119937/119907)– (Hi/Med/Lo) RESOLUTION:

The Trail Scout has three still photo resolution options:

(a) **Hi:** Still photos are taken at the highest (interpolated) resolution setting, 5MP (119835) or 7MP (119937/119907). Use this setting if you plan to make large prints from your photos, or anytime photo quality is a higher priority than photo storage space (higher resolution photos generate larger size files).

(b) **Med:** Still photos are taken at the actual sensor resolution, 3MP (119835) or 5MP (119937/119907). This is a good general purpose setting, as it is an ideal compromise between quality and storage space

(c) **Lo:** Still photos are taken at a lower resolution setting, 2MP (119835) or 3MP (119937/119907). Use this setting if your priority is being able to store more photos on an SD card, and/or if you will only be viewing your photos on a computer monitor or making small prints.

5. K4 (Model 119835)– (30s/1Min/2Min) CAMERA DELAY MODE

K5 (Model 119937/119907) – (30s/1Min/2Min) CAMERA DELAY MODE:

There are three modes for taking delayed pictures: 30 Sec, 1 Min and 2 Min.

The unit will record EVENTS while CAMERA is in DELAY MODE each time the PIR senses motion.

(a) 30s: After the first picture, a second picture will be taken 30 seconds later.

(b) 1Min: After the first picture, a second picture will be taken 1 minute later.

(c) 2Min: After the first picture, a second picture will be taken 2 minutes later.

GLOSSARY

PIR—Passive Infrared Sensor. Senses motion like typical security motion detector. Requires infrared energy (heat) in addition to motion to trip sensor to assure detection of live animals.

Event—Any time that the PIR senses motion it counts it as an event. Events are recorded to the SD card in a text file. Events are recorded continuously during operation.

Image—A digital picture recorded on the SD Card when motion is sensed. Images are taken at the desired delay between images.

Image Delay—Time elapsed between photos while events are sensed and recorded. This is user-set based on wildlife activity in area.

IR Flash—IR LED Array—Infrared LED Night Vision feature. Emits a burst of infrared light which is invisible to the human eye. Especially useful for night photos when a visible flash is undesirable. (Featured on Models 119937/119907 only)

Std (Standard) Flash—Xenon flash tube used for low light or night photography. Automatically fires if necessary due to dark, overcast skies or waning light late in the day.

SD Card—Memory card used to store images and events. Trail Scouts are compatible with up to 1GB capacity SD cards, standard or high speed (all new Trail Scouts include an SD card).

Battery Life—Time that camera will function in the field. Dependent on temperature, number of images and number of flashes during that time.

Setup—Using the display menu and buttons to set the date/time, still photo or movies, and password.

Security—One of the most important requirements of any trail camera. The Trail Scouts have 4 security features—padlock tab, tree bracket, cable lock, and software password.

Trigger Speed—Time delay between a subject passing in front of PIR sensor and the image capture of that subject.

14 All Bushnell Trail Cameras have a trigger speed of less than one second.

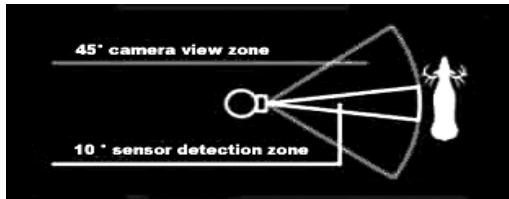
1. SD CARD SLOT

The unit has a standard SD Card slot. You must push the SD Card in with the SD Card label facing the Bushnell logo into the SD card slot. Pushing it again will release the SD card, and then you can remove the SD card from the SD card slot. Insertion or removal of SD card is only recommended when the unit is in the "OFF" position, as data can be lost or files corrupted if a card is removed while storage is in progress with the unit powered on.

2. PIR SENSOR

The sensor that triggers the trail camera is Passive InfraRed, or PIR. Infrared energy is essentially heat energy. The PIR detector operates by sensing a change in the infrared level in its detection zone. This zone is a cone in the center 10 degrees of the camera's field of view. The camera establishes an average long-term infrared level. When this level increased suddenly the PIR detector signals the camera to record a picture and/or an event. Because of this effect, the PIR detector will be more sensitive at night, when the average temperature is lower.

In the Setup mode, you can use PIR sensor to determine the detection zone. When the PIR is sensed, the PIR Sense Indicator will light. The camera's field of view is a 45 degree cone, centered on the PIR detection zone.



Other Setup Notes (cont.)

3. LASER POINTER (Models 119937/119907 Only)

The 119937/119907 Trail Scout camera has a Laser pointer. When you mount the unit on a tree or any other fixed surface and cannot sight from behind the Game Camera, you can use the Laser Pointer to align the unit.

***NOTE: LASER LIGHT IS POTENTIALLY DANGEROUS TO THE EYES.
THE LASER POINTER IS ACTIVATED IN THE SET-UP MODE.
DO NOT PERMIT THE LASER POINTER TO BE DIRECTED
TOWARD ANYONE'S EYES TO AVOID POTENTIAL EYE INJURY.***



4. AUTO DAY/NIGHT IR FILTER SWITCH (Models 119937/119907 Only)

The Model 119935/119905 Trail Scout camera has an automatic function which activates a filter in the camera's lens system during the time period you define as "Day" (see "Set Day Time" in the Setup Guide). The purpose of this filter is to block infrared light, so that photos taken by daylight or with the standard (xenon) flash tube (in heavy shade or late in the day) will have a normal appearance. This infrared filter is found in virtually all digital cameras, as their image sensors are sensitive to infrared light as well as visible light wavelengths. However, during the "Night" time period (from your defined Day end time to Day start time), the infrared blocking filter is automatically deactivated, or removed from the lens path. This allows the LED lamp array, which emits invisible infrared light, to be able to create an image on the camera's CMOS sensor when the IR light illuminates a subject in front of the lens. Because the infrared filter is activated during the "Day" time period, using the LED flash mode during the day is not recommended, as the filter will prevent the infrared light from the LED from reaching the sensor, resulting in dark photos. The standard flash mode may be selected for night use, however, photos may be slightly pink or reddish in color due to the deactivated infrared filter. Refer to the following chart:

Other Setup Notes (cont.)

Flash Mode	Day Time Photo Results	Night Time Photo Results	Recommended Combination
LED	Normal, may be dark during cloudy conditions or late hours	Black & White, good exposure	Good (Better night results, flash is undetected)
STD	Normal color & exposure	Slight pink or reddish color	Good (Better day results)

Note: setting the date and time on your camera is imperative for the unit to function properly, so that images captured by both day and night will have the best possible appearance (and so you know when the images are taken). If the date and time are not set up correctly, the automatic IR (infrared) filter will remain in the “off” position 24 hrs a day, causing daytime images to appear somewhat pink.

5. MOON PHASE STAMP

All new Trail Scout models have a “moon phase” stamp feature. This links the current date (as set by the user in the setup procedure) to the phase of the moon on that date (this data is stored on an internal memory chip), and imprints a icon on your photo which represents the moon phase when the photo was taken. The moon phase icon will appear on your photos in the lower left, next to your name and the Bushnell logo. Some hunters will find this to be a useful reference, as it can help determine if particular animals are inactive at night when a full or nearly full moon is present, causing them to be more visible to predators. Or, if some of your night photos seem to have a darker or lighter background (beyond the range of the LED lamps or flash), you can see if that was related to how bright the moon was at the time. The icons for the various phases of the moon are shown below:

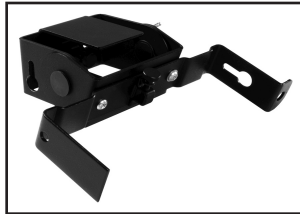


ABOUT THE INCLUDED MOUNTING BRACKETS

Trail Scout Ratcheting Bracket Installation Tips

A total of 4 brackets are included with all new Trail Scouts (Model#s 119835/119907/119937):

- (1) “T” bracket that mounts to the back of the camera
- (1) Ratcheting bracket (*see photo*)
- (2) Tree brackets.



The two tree brackets are intended to allow the user to attach brackets to trees in two different locations, making it easier to move a single camera between the two positions.

The ratcheting bracket (originally sold separately as an optional accessory) is provided as an alternative mounting method. This bracket can be screwed to a tree, or secured to a tree with the provided cable. When mounting, make sure that the bracket ratchets down toward the ground. This allows you to mount your camera higher on a tree, to avoid theft and detection by undesirable animals. After mounting the ratcheting bracket to the tree, attach one of the tree brackets to the ratcheting bracket with the provided bolts. Then the camera can be locked to the ratcheting bracket/tree bracket combo in the exact same way that the tree bracket/camera is locked.

Also, the new Trail Scouts have a port on the bottom of the camera for inserting a solar panel power jack (use only with Bushnell Solar Panel Model# 119750C). When mounting the solar panel, the ratcheting bracket can be used with it turned upside down (so it ratchets up), to allow the solar panel to be positioned facing UPWARD, to collect solar energy to power rechargeable NiMh “D” batteries (sold separately) installed in the camera.

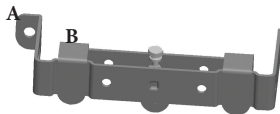
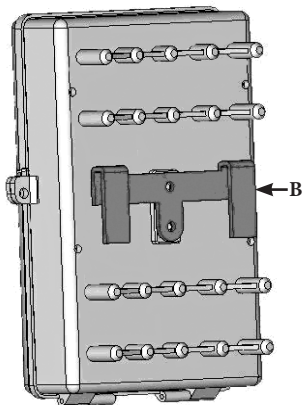
1. MOUNTING (Using the “T” bracket and a standard tree bracket):

Mount the trail camera on the tree as shown below.

1. Screw bracket A to the tree.
2. Bolt bracket B on the back of the trail camera.
3. Match bracket B up to bracket A.
4. Then, hang bracket B over bracket A.
5. Finally, insert the padlock and lock when setup is completed.

For extra security, you can use the included cable to wrap around the tree trunk as well.

1. Insert the end with the large lug into bracket A.
2. Then, feed the other end of the cable around the tree and back through the bracket.
3. Tighten the adjustable locking bolt to hold the cable tightly in place (B).



Using the Trail Scout (cont.)

2. POWER ON AND SETUP SWITCH SUMMARY:

Turn the knob 90°counterclockwise and open the front cover.

Set the K1 to ON position,

Input correct Password. Default password is “0000”.

(If the password is entered incorrectly 3 times, the unit will be powered off automatically. If you want to power ON again you must set K1 back to OFF and then set K1 to ON)

The LCD will display current IMAGE&EVENT counter.

You can press the Up or Down key to see the DATE, TIME, NAME.

If you want to modify DATE, TIME, NAME or password, set K1 to SETUP.

(See SETUP GUIDE for details)

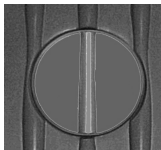
After finishing SETUP, set K1 back to ON position

The unit will delay 2 minutes before functioning to allow you to clear out of your area.

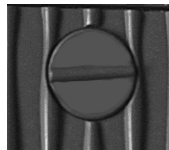
The functions of K2, K3, and K4 can be set in the SETUP or ON Mode.

After finishing SETUP, close the front cover and turn the knob to 90°clockwise.

Finally, secure the Trail Scout with a padlock.



Turn the knob 90°
counterclockwise to open



Turn the knob 90°
clockwise to close

Game Call Descriptions (Model 119907/119937 Only)

1. **Grunt**-Whitetail deer grunt. Will attract whitetail bucks to an area to investigate what other “buck” is in their territory.
2. **Cow Call**-Female elk communication call. Will attract elk, especially male bull elk, to the area.
3. **Bugle**-Male bull elk communication call. Will attract other bull elk to an area to investigate what other “bull” is in their territory.
4. **Antler**-Whitetail buck fighting sounds. Will attract other bucks to the area to investigate what other “bucks” are in their territory.
5. **Tending**-Whitetail buck grunt sequence. Used by bucks when they are “tending” to a doe. Will attract bucks.
6. **Predator**-Small animal in distress sound. Will attract predators such as bobcat, mountain lion, coyote, wolf to an area.
7. **Turkey**-Female turkey yelp. This call will attract male tom turkeys.
8. **Moose**-Male bull moose sound. Will attract other moose to investigate.

Attaching the Game Call Module (Models 119907 and 119937 only)



Attaching Game Call Module
(remove the plastic plug covering the
connection pins by sliding it up first)



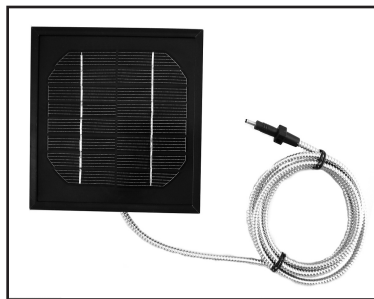
Game Call Module Attached

The (Optional) Solar Panel

(Compatible with models 119835, 119907 & 119937)



Solar Panel Input Jack

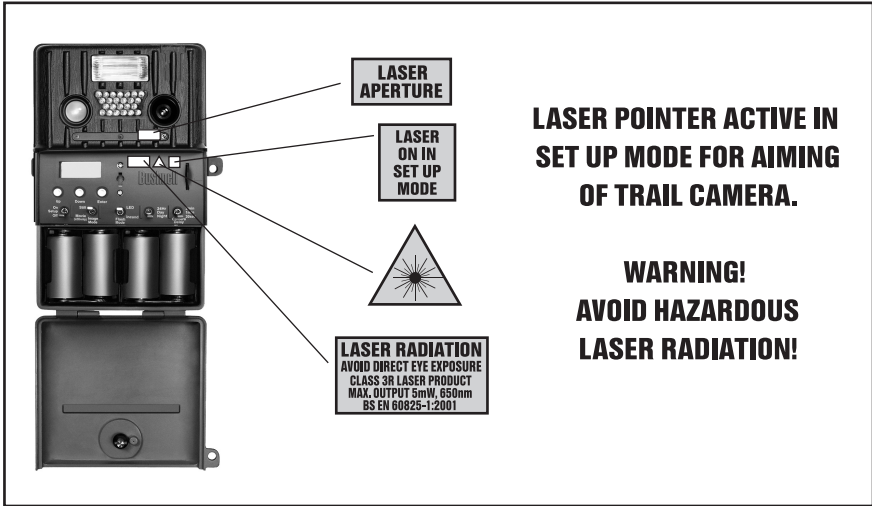


Solar Panel
(Optional Accessory)

WARNING: DO NOT USE the solar panel unless rechargeable (“D” size type NiMh) batteries have been installed. Using the solar panel with alkaline or other non-rechargeable batteries may result in damage to the unit, not covered by warranty.

SUPPLEMENTAL OPERATING NOTES

- The LCD showing “ENTER SUSPEND” means the system is going to suspend activity (sleep mode to conserve battery power).
- After setting K1 to ON, the system will begin working after a two minute delay. If there is no activity sensed in three minutes, the system will go to SUSPEND. When the PIR senses activity, the camera will be activated immediately.
- The LCD showing “RESUME” means the system is active.
- Changing batteries within 20 seconds will avoid the need to reset the date and time.



TWO-YEAR LIMITED WARRANTY

Your Bushnell® product is warranted to be free of defects in materials and workmanship for two years after the date of purchase. In the event of a defect under this warranty, we will, at our option, repair or replace the product, provided that you return the product postage prepaid. This warranty does not cover damages caused by misuse, improper handling, installation, or maintenance provided by someone other than a Bushnell Authorized Service Department.

Any return made under this warranty must be accompanied by the items listed below:

- 1) A check/money order in the amount of \$10.00 to cover the cost of postage and handling
- 2) Name and address for product return
- 3) An explanation of the defect
- 4) Proof of Date Purchased
- 5) Product should be well packed in a sturdy outside shipping carton, to prevent damage in transit, with return postage prepaid to the address listed below:

IN U.S.A. Send To:

Bushnell Outdoor Products
Attn.: Repairs
8500 Marshall Drive
Lenexa, Kansas 66214

IN CANADA Send To:

Bushnell Outdoor Products
Attn.: Repairs
25A East Pearce Street, Unit 1
Richmond Hill, Ontario L4B 2M9

For products purchased outside the United States or Canada please contact your local dealer for applicable warranty information. In Europe you may also contact Bushnell at:

Bushnell Germany GmbH
European Service Centre
Mathias-Brüggen-Str. 80
D-50827 Köln
GERMANY
Tel: +49 221 995568-0
Fax: +49 221 995568-20

This warranty gives you specific legal rights.
You may have other rights which vary from country to country.
©2008 Bushnell Outdoor Products

FCC Note:

This equipment has been tested and found to comply with the limits for a Class B digital device, pursuant to Part 15 of the FCC Rules. These limits are designed to provide reasonable protection against harmful interference in a residential installation. This equipment generates, uses and can radiate radio frequency energy and, if not installed and used in accordance with the instructions, may cause harmful interference to radio communications. However, there is no guarantee that interference will not occur in a particular installation. If this equipment does cause harmful interference to radio or television reception, which can be determined by turning the equipment off and on, the user is encouraged to try to correct the interference by one or more of the following measures:

- Reorient or relocate the receiving antenna.
- Increase the separation between the equipment and receiver.
- Connect the equipment into an outlet on a circuit different from that to which the receiver is connected.
- Consult the dealer or an experienced radio/TV technician for help.

Shielded interface cable must be used with the equipment in order to comply with the limits for a digital device pursuant to Subpart B of Part 15 of FCC Rules.

Specifications and designs are subject to change without any notice or obligation on the part of the manufacturer.





For further questions or additional information please contact:

Bushnell Outdoor Products
9200 Cody, Overland Park, Kansas 66214
(800) 423-3537 • www.bushnell.com

©2008 Bushnell Outdoor Products