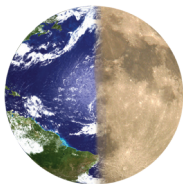


Bushnell®

4x40 / 6x50



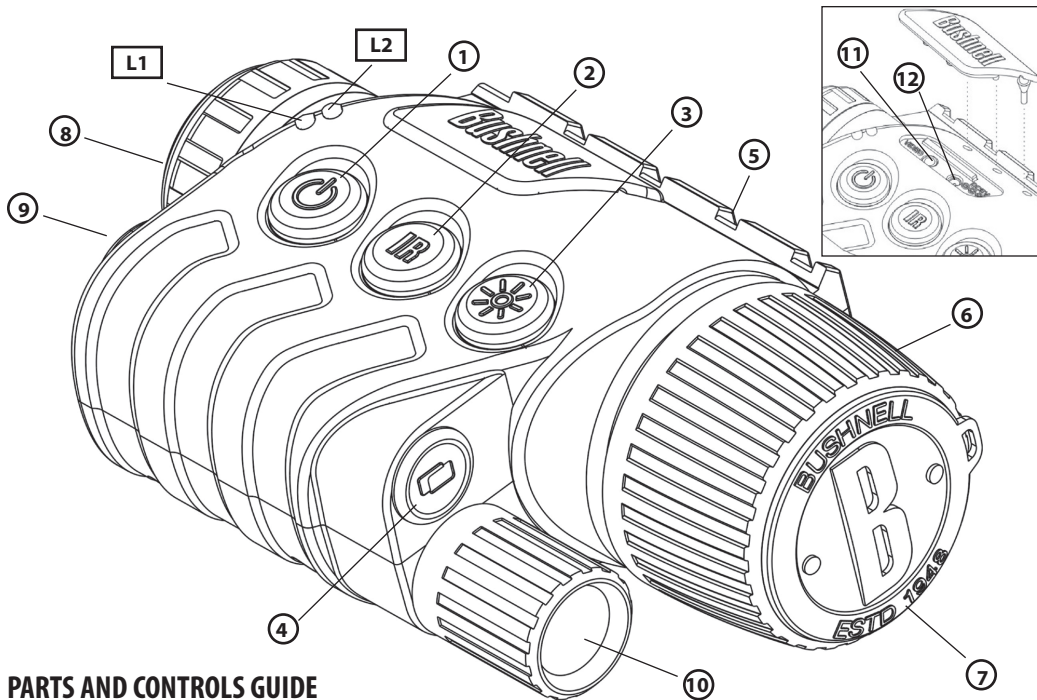
EQUINOX™

INSTRUCTION MANUAL

Model #: 260440/260650/260441/260651

Lit. #: 98-2067/03-13

ENGLISH	4-13
FRANÇAIS	14-23
ESPAÑOL	24-33
DEUTSCH	34-43
ITALIANO	44-53
PORTUGUÊS	54-63



PARTS AND CONTROLS GUIDE

ABOUT BUSHNELL® EQUINOX™ DIGITAL NIGHT VISION

Congratulations on the purchase of your Bushnell® Equinox™ Digital Night Vision. Comprised of high quality electronics and optics, the Bushnell Equinox is a hand-held digital night vision viewing system that utilizes a low-light charge-coupled device (CCD) sensor, providing edge-to-edge resolution and image quality equal to or exceeding "Gen 2" analog units, at any range. Fully multi-coated optics increase light transmission and decrease glare. The LCD micro display screen features user-selectable monochrome or "traditional" green viewing modes. Both Equinox models are 20% more energy efficient than other digital night vision units, resulting in a battery life of over 6 hours (without IR). The Equinox 4x40 and 6x50 Digital Night Vision monoculars are versatile enough for many applications including hunting, camping, boating/fishing, caving, paintball, stargazing, rescue/recovery, security surveillance, law enforcement, and video recording in continuously changing light conditions – from dawn to absolute darkness. The Equinox 4x40 model has a 10 yard field of view at an observation distance of 100 yards, ideal for viewing moving objects. The Equinox Digital Night Vision units also include a video output port which allows connection to video or computer equipment for recording or "live" monitoring. A built-in accessory mounting rail (5) enables the user to attach a laser (for aiming purposes) or other compatible accessories.

HOW DIGITAL NIGHT VISION WORKS

Bushnell Digital Night Vision products collect existing light through the objective lens. The image is then processed through a 1/3" near infra-red sensitive CCD sensor module and transferred to the micro liquid crystal display (LCD). Images viewed on the LCD are magnified 4 or 6 times (depending on model). Equinox Digital Night Vision models are equipped with a built-in powerful IR (infrared) illuminator (10) that enables clear viewing in low ambient light conditions or even total darkness.

BATTERY INSTALLATION

1. Open the battery compartment (9) by unscrewing the tightening bolt (counter-clockwise). Remove the battery cap.
2. Install two CR123 lithium batteries, inserted with polarity in the direction shown on the internal wall of the battery compartment.
3. Replace the battery compartment cap and secure it by tightening the screw bolt, turning clockwise until tight.

NOTE: Do not mix old and new batteries together. Replace both batteries at the same time. Do not mix battery types.

POWER ON

Remove the protective objective lens cover (7) from the objective lens (6). Press the ON button (1) until the green LED indicator (L1) turns on. The LCD screen inside the eyepiece (8) will power on.

FOCUSING

Point the Equinox night vision unit at the object you wish to observe. To focus, first rotate the diopter setting ring of the eyepiece (8) until the edges of the rectangular LCD screen appear as sharp as possible to your eye. Then rotate the objective lens focusing collar (6) until the observed image is sharp. To focus on another object at a different distance, you will only need to adjust the objective lens focusing collar (6), as the diopter setting is already optimized for your individual eyesight. You may need to readjust the diopter setting the next time you use the Equinox unit or if the eyepiece is moved accidentally.

POWER OFF

To turn the unit off, press and hold the ON button (1) for approximately 2 seconds until the green LED indicator (L1) turns off. Replace the protective objective lens cap cover (7) before storing or transporting the unit.

USING THE IR ILLUMINATOR

When using the unit under conditions of total darkness, turn on the IR illuminator (10) by pressing the IR button (2). When the IR illuminator is on, the red LED indicator (L2) will turn on.

NOTE: *The IR light source is invisible to the unaided eye, but can be seen by other people equipped with night vision devices (be aware of this if using the unit for surveillance or law enforcement applications).*

To turn the IR illuminator off, hold the IR button (2) for approximately 3-4 seconds until the red LED indicator (L2) turns off. (Note that the IR illuminator does not cut off instantly, it will "fade out"). The IR illuminator will also turn off when the unit's power is turned off by pressing and holding the ON button (1).

The IR illuminator is at the maximum brightness setting when it is first switched on. To decrease the brightness, hold the IR button (2) until the desired level of illumination is reached, then release the button. To increase the brightness of the IR illuminator if you turn it down too far, repeat the process by turning the IR on (to restart from the maximum setting) and again hold the IR button briefly (if necessary) to adjust the brightness to the desired setting.

ADJUSTING THE LCD DISPLAY BRIGHTNESS

To increase and decrease LCD screen brightness, press and hold the LCD brightness button (3). To reverse the direction of the brightness adjustment, release the LCD brightness button (3) and then press and hold the button until the desired level of brightness achieved to allow comfortable viewing experience.

NOTE: *When the unit is turned on again, the LCD screen brightness setting will be at the same level as previously set.*

SWITCHING THE LCD DISPLAY COLOR

To switch the LCD screen color from green to white or from white to green, quickly press the LCD backlight color mode button (4).

LOW BATTERY INDICATOR

The green LED (L1) starts flashing when the battery power is less than approximately 15% of full capacity. Replace both batteries as directed in "**Battery Installation**".

VIDEO OUT JACK

The device is equipped with an analog (composite) video out jack. Connect the video cable between the video output jack (11) and a compatible device (VCR, camcorder, video monitor, computer video interface, etc) to remotely observe or record the image produced by the Equinox digital night vision unit. A standard tripod mounting socket is provided. *Refer to "Specifications" regarding NTSC/PAL video system compatibility for your Equinox model number.*

EXTERNAL DC POWER IN JACK

To connect the device to a vehicle's DC outlet ("cigarette lighter socket"), plug the vehicle power adapter included with the device, into the 5V DC power input jack (12) and connect the other end to the vehicle power outlet

WARNING: *The voltage produced by a vehicle's electrical system may vary from 12V to 24V depending on the model. The Equinox night vision units are designed for a DC input voltage of 5V, therefore do not plug the device into the vehicle outlet using an aftermarket 12V adapter. Use only the supplied power adapter, which is equipped with a 12V-24V to 5V converter and safety fuse.*

NOTE: To connect the device to 120V household AC outlet, you may use any commercially available AC adapter (NOT INCLUDED) which meets the requirements listed in the **Specifications** list in this manual.

WARNING: *The batteries installed in the battery compartment of the device cannot be charged when the device is connected via external DC or AC power sources/adapters.*

TROUBLESHOOTING

Unit does not turn on

1. Reinstall the batteries, making sure of the correct polarity (+/- terminals) orientation.
2. Replace both batteries.
3. Clean the battery compartment, especially the contact points.

Observed image is too bright

The ambient light level is too high (*e.g. observation during bright sun conditions*).

1. Turn off the unit or place the objective lens cover (7) over the lens. The unit will function normally in light conditions below 25,000 Lx (day light).
2. Adjust the LCD screen brightness (*see "Adjusting the LCD Display Brightness" in this instruction manual*).

Image is missing or not focused

1. Re-focus by adjusting the objective lens (6). Adjust the diopter setting if necessary by rotating the eyepiece (8) until the edges of the LCD display appear sharp (*see "Focusing" in this instruction manual*).
2. Check the condition of the objective lens (6) surface and eyepiece (8) and clean if necessary.
3. Replace the batteries.
4. In extreme low light conditions, activate the built-in IR illuminator (10).

Image disappears or its quality is reduced

Bright light sources (*e. g. street lights at night time*) may cause decreased visibility or reduced contrast.

1. Turn the monocular away from the light source; visibility will return momentarily.
2. Readjust the LCD display brightness setting.

Small black dots are visible on the screen

Small dots are normal, minor cosmetic blemishes resulting from the LCD manufacturing process and are not a defect or quality control error. These dots do not interfere with the reliability and performance of the monocular.

CARE AND MAINTENANCE

Your Bushnell Equinox Digital Night Vision device was designed to provide many years of reliable service. To ensure that you get the most enjoyment out of your Digital Night Vision device, always obey the following warnings and precautions.

- Keep the device away from any heating and air conditioning vents or other heating devices, direct sunlight, and moisture.
- Always store the unit in its carrying case in a dry well ventilated space in temperature above +15°C (60° F). Do not store near heating devices. Do not store in direct sunlight or high humidity conditions (higher than 70 %).
- Clean the optical lens with camera lens cleaning supplies.
- Clean the exterior of the device with a soft clean cloth.
- Remove the batteries if the device will not be used for longer than a few weeks.

WARNING AND PRECAUTIONS

- Avoid dropping or otherwise shocking the unit. Although designed for rugged outdoor use, this device incorporates sophisticated digital circuitry which could be damaged in extreme cases of misuse.
- Do not open the body of the device or otherwise attempt to service this device.
- Never pour alcohol or any other liquids directly onto the lens surfaces.
- Do not clean lenses and unit surfaces with paper based products, such as newspaper, textbook paper, etc. as it can damage the coating.
- Avoid removing the eyepiece as the LCD display could become damaged.
- Do not leave the device in direct sunlight or rain. The unit is water resistant, but is not designed for prolonged exposure to moisture and cannot be submerged in water.
- After the unit is operated in temperatures below zero, wait at least 3 hours at room temperature, to avoid condensation accumulating on the internal lens surfaces and the consequent fogging caused by extreme temperature differences.

Specification	260440 / 260441	260650 / 260651
Magnification	4x	6x
Objective Size	40mm	50mm
Battery Type	(2) CR-123 Lithium	
Viewing Range	738 ft / 225 m	984 ft / 300 m
Field of View @ 100 yds/m	32 ft / 10m	23 ft / 14 m
Operating Temperature Range	+14 ~+113 F / -10 ~ +45 C	
Dimensions (H x W x L)	65 x 100 x 164 mm	65 x 100 x 198 mm
Weight	13.0 oz / 370 g	19.9 oz / 564 g
Tripod Mountable	Yes	
Water Resistance Standard	IPX4	
AC Adapter requirements	4.5-6.5V DC output, 500-600 mA, 3.5mm diameter plug polarity=positive tip	
Video Out	NTSC (Model#s 260440/260650) or PAL (Model #s 260441/260651)	

Note: failure to follow the warnings and precautions as stated in this manual may damage the unit and void the manufacturer's warranty.

FCC NOTE

This equipment has been tested and found to comply with the limits for a Class B digital device, pursuant to Part 15 of the FCC Rules. These limits are designed to provide reasonable protection against harmful interference in a residential installation. This equipment generates, uses and can radiate radio frequency energy and, if not installed and used in accordance with the instructions, may cause harmful interference to radio communications. However, there is no guarantee that interference will not occur in a particular installation. If this equipment does cause harmful interference to radio or television reception, which can be determined by turning the equipment off and on, the user is encouraged to try to correct the interference by one or more of the following measures:

- Reorient or relocate the receiving antenna.
- Increase the separation between the equipment and receiver.
- Connect the equipment into an outlet on a circuit different from that to which the receiver is connected.
- Consult the dealer or an experienced radio/TV technician for help.

Shielded interface cable must be used with the equipment in order to comply with the limits for a digital device pursuant to Subpart B of Part 15 of FCC Rules.

Specifications and designs are subject to change without any notice or obligation on the part of the manufacturer.



Disposal of Electric and Electronic Equipment

(Applicable in the EU and other European countries with separate collection systems)

This equipment contains electric and/or electronic parts and must therefore not be disposed of as normal household waste. Instead, it should be disposed at the respective collection points for recycling provided by the communities. For you, this is free of charge.

If the equipment contains exchangeable (rechargeable) batteries, these too must be removed before and, if necessary, in turn be disposed of according to the relevant regulations (see also the respective comments in this unit's instructions).

Further information about the subject is available at your community administration, your local waste collection company, or in the store where you purchased this equipment.



ONE-Year LIMITED WARRANTY

Your Bushnell® product is warranted to be free of defects in materials and workmanship for one year after the date of purchase. In the event of a defect under this warranty, we will, at our option, repair or replace the product, provided that you return the product postage prepaid. This warranty does not cover damages caused by misuse, improper handling, installation, or maintenance provided by someone other than a Bushnell Authorized Service Department.

Any return made under this warranty must be accompanied by the items listed below:

- 1) A check/money order in the amount of \$10.00 to cover the cost of postage and handling
- 2) Name and address for product return
- 3) An explanation of the defect
- 4) Proof of Date Purchased
- 5) Product should be well packed in a sturdy outside shipping carton, to prevent damage in transit, with return postage prepaid to the address listed below:

IN U.S.A. Send To:

Bushnell Outdoor Products
Attn.: Repairs
9200 Cody
Overland Park, Kansas 66214

IN CANADA Send To:

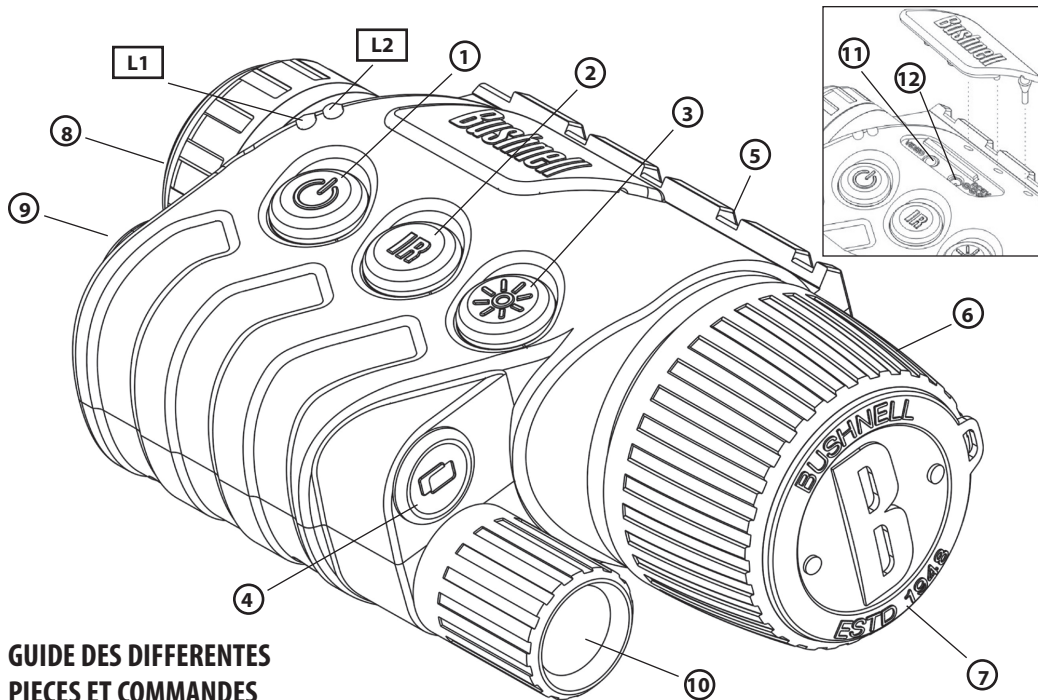
Bushnell Outdoor Products
Attn.: Repairs
25A East Pearce Street, Unit 1
Richmond Hill, Ontario L4B 2M9

For products purchased outside the United States or Canada please contact your local dealer for applicable warranty information. In Europe you may also contact Bushnell at:

Bushnell Germany GmbH
European Service Centre
Mathias-Brüggen-Str. 80
D-50827 Köln
GERMANY
Tél: +49 221 995568-0
Fax: +49 221 995568-20

This warranty gives you specific legal rights.
You may have other rights which vary from country to country.

©2013 Bushnell Outdoor Products



GUIDE DES DIFFERENTES PIECES ET COMMANDES

A PROPOS DE L'APPAREIL DE VISION NOCTURNE NUMERIQUE EQUINOX™ DE BUSHNELL ®

Félicitations pour l'achat de votre appareil Bushnell® de vision nocturne numérique Equinox™. Composé de pièces électroniques et optiques de haute qualité, l'appareil de vision nocturne numérique Equinox de Bushnell est un système de vision nocturne numérique et portable qui comprend un dispositif à transfert de charge en cas de faible luminosité. Il assure ainsi une résolution et une qualité d'image aussi nettes, voire plus nettes, que les appareils analogiques "Gen 2", quelle que soit la distance. Les composants optiques à plusieurs revêtements permettent d'augmenter la transmission de la lumière et de réduire les reflets. L'écran LCD présente un mode de vision monochrome ou un mode de vision vert "traditionnel" que l'utilisateur peut sélectionner. Les deux modèles Equinox utilisent 20% d'énergie en moins par rapport à d'autres appareils de vision nocturne numérique. Ils peuvent ainsi fonctionner sur piles pendant plus de six heures (sans IR). Les monoculaires de vision nocturne numérique Equinox 4x40 et 6x50 permettent de nombreuses utilisations, y compris la chasse, le camping, la pêche et le bateau, la spéléologie, le paint-ball, l'observation des étoiles, la recherche et le sauvetage, la surveillance, le maintien de l'ordre et l'enregistrement de vidéos dans des conditions de luminosité changeantes - du crépuscule à l'obscurité absolue. Le modèle Equinox 4x40 a un champ de vision de 10 mètres à une distance d'observation de 100 mètres, idéal pour visionner des objets en mouvement. Les appareils de vision nocturne numérique Equinox ont également un port de sortie vidéo qui permet de connecter l'appareil à un ordinateur ou un appareil vidéo pour l'enregistrement ou la surveillance en direct. Un rail de montage d'accessoires intégré (5) permet à l'utilisateur de fixer un laser (pour viser) ou d'autres accessoires compatibles.

COMMENT FONCTIONNE LA VISION NOCTURNE NUMERIQUE ?

Les appareils de vision nocturne numérique de Bushnell collectent la lumière à travers l'objectif. Puis l'image est traitée en passant par un module détecteur CCD de 1/3" sensible aux infrarouges et transférée au micro-écran LCD. Les images visionnées sur l'écran LCD sont agrandies 4 ou 6 fois (selon le modèle). Les appareils de vision nocturne numérique Equinox sont équipés d'un illuminateur IR puissant intégré (10) qui permet une vision nette dans des conditions de faible luminosité ou même d'obscurité totale.

INSTALLATION DES PILES

1. Ouvrir le compartiment des piles (9) en dévissant le boulon de serrage (dans le sens des aiguilles d'une montre). Retirer le couvercle du compartiment des piles.
2. Installer deux piles au lithium CR123 en les insérant de façon à ce que la polarité soit conforme à la direction indiquée sur la paroi intérieure du compartiment.
3. Remettre le couvercle du compartiment et le sécuriser en vissant le boulon de serrage dans le sens des aiguilles d'une montre jusqu'à ce qu'il soit serré.

REMARQUE : Ne pas mélanger des piles usées avec des piles neuves. Remplacer les deux piles en même temps. Ne pas mélanger plusieurs types de piles.

MISE EN MARCHÉ

Retirer le couvercle protecteur (7) de l'objectif (6).

Appuyer sur le bouton ON (1) jusqu'à ce que la LED (L1) s'allume. L'écran LCD à l'intérieur de l'oculaire (8) s'allume.

MISE AU POINT

Diriger l'appareil de vision nocturne Equinox sur l'objet que vous désirez observer. Pour la mise au point, tourner d'abord l'anneau de réglage de dioptrie de l'oculaire (8) jusqu'à ce que les bords de l'écran LCD rectangulaire soient aussi nets que possible. Puis tourner la bague de mise au point de l'objectif (6) jusqu'à ce que l'image observée soit nette. Pour mettre au point sur un autre objet à une distance différente, il vous suffira d'ajuster la bague de mise au point de l'objectif (6), car le réglage de dioptrie est déjà adapté à votre vue. Vous devrez peut-être réajuster le réglage de dioptrie la prochaine fois que vous utiliserez l'appareil Equinox ou si l'oculaire est déplacé accidentellement.

ARRET

Pour éteindre l'appareil, appuyer et maintenir le bouton ON enfoncé (1) pendant environ 2 secondes jusqu'à ce que la LED verte (L1) s'éteigne. Remettre le couvercle protecteur de l'objectif (7) avant de ranger ou de transporter l'appareil.

UTILISATION DE L'ILLUMINATEUR IR

Quand vous utilisez l'appareil dans des conditions d'obscurité totale, allumez l'illuminateur IR (10) en appuyant sur le bouton IR (2). Quand l'illuminateur IR est allumé, la LED rouge (L2) s'allume.

REMARQUE: *La source de lumière IR est invisible à l'œil nu mais peut être vue par des personnes équipées d'appareils de vision nocturne (bien prendre note de ceci si vous utilisez l'appareil pour de la surveillance ou pour des activités de maintien de l'ordre).*

Pour éteindre l'illuminateur IR, appuyer et maintenir le bouton IR (2) enfoncé pendant environ 3-4 secondes jusqu'à ce que la LED rouge (L2) s'éteigne. (Notez que l'illuminateur IR s'éteint progressivement). L'illuminateur IR s'éteindra également quand l'appareil est éteint à l'aide du bouton ON (1).

L'illuminateur IR est réglé au niveau le plus lumineux lors de sa première utilisation. Pour diminuer le niveau de luminosité, maintenir le bouton IR enfoncé (2) jusqu'à l'obtention du niveau de luminosité désiré, puis relâcher le bouton. Pour augmenter le niveau de luminosité de l'illuminateur IR si vous l'avez trop diminué, répétez le processus en allumant l'IR (pour recommencer au niveau maximum) et maintenez à nouveau le bouton IR enfoncé brièvement (si nécessaire) pour ajuster la luminosité jusqu'au niveau désiré.

REGLAGE DE LA LUMINOSITE DE L'ECRAN LCD

Pour augmenter et diminuer la luminosité de l'écran LCD, appuyer et maintenir le bouton de luminosité LCD enfoncé (3). Pour inverser le réglage de la luminosité, relâcher le bouton de luminosité LCD (3) puis appuyer et maintenir le bouton enfoncé jusqu'à l'obtention du niveau de luminosité désiré pour assurer le meilleur confort visuel.

REMARQUE : *Quand l'appareil est de nouveau allumé, la luminosité de l'écran LCD restera au niveau auquel elle a été réglée précédemment.*

MODIFICATION DE LA COULEUR DE L'ECRAN LCD

Pour changer la couleur de l'écran LCD (de vert à blanc ou de blanc à vert), appuyer rapidement sur le bouton de mode de rétroéclairage LCD (4).

INDICATEUR DE PILE FAIBLE

La LED verte (**L1**) commence à clignoter quand il reste moins de 15% de capacité aux piles. Remplacer les deux piles en suivant les instructions "**Installation des piles**".

PRISE DE SORTIE VIDEO

L'appareil est équipé d'une prise de sortie vidéo analogue (composite). Connecter le câble vidéo entre la prise de sortie vidéo (**11**) et un appareil compatible (magnétoscope, caméscope, vidéosurveillance, interface vidéo d'un ordinateur, etc.) pour observer ou enregistrer à distance l'image produite par l'appareil de vision nocturne numérique Equinox. Une prise de montage pour un trépied standard est fournie. **Se référer aux "Caractéristiques" pour ce qui concerne les compatibilités de système vidéo NTCS/PAL de votre Equinox.**

PRISE EXTERNE CC

Pour connecter l'appareil à la prise de courant continu d'un véhicule ("prise allume-cigare"), brancher l'adaptateur pour véhicule fourni avec l'appareil sur la prise 5V de l'appareil (**12**) et connecter l'autre bout à la prise d'alimentation du véhicule. **AVERTISSEMENT : La tension générée par le système électrique d'un véhicule peut varier de 12V à 24V, suivant les modèles. L'appareil de vision nocturne Equinox est prévu pour une tension de 5V. Il ne faut donc pas le brancher sur la prise d'un véhicule en utilisant un adaptateur 12V. Utiliser uniquement l'adaptateur fourni qui est équipé d'un convertisseur de 12V-24V à 5V et d'un fusible de sécurité.**

REMARQUE: Pour connecter l'appareil à une prise de courant alternatif de 120V, vous pouvez utiliser n'importe quel adaptateur disponible dans le commerce (NON FOURNI) qui remplit les conditions listées dans la liste des **Caractéristiques** de ce manuel. **AVERTISSEMENT : Les piles installées dans le compartiment des piles de l'appareil ne peuvent pas se recharger quand l'appareil est connecté à des sources/adaptateurs de courant alternatif ou continu.**

DEPANNAGE

L'appareil ne s'allume pas

1. Réinstaller les piles, en s'assurant que l'orientation de la polarité des piles (les pôles +/-) est correcte.
2. Remplacer les deux piles.
3. Nettoyer le compartiment des piles, en insistant sur les points de contact.

L'image observée est trop lumineuse

Le niveau de lumière ambiante est trop lumineux (*ex. observation dans des conditions de plein soleil*).

1. Eteindre l'appareil ou mettre le couvercle protecteur de l'objectif (7) sur l'objectif. L'appareil fonctionnera normalement dans des conditions de luminosité inférieures à 25 000 Lx (lumière du jour).
2. Ajuster la luminosité de l'écran LCD (*voir "Réglage de la luminosité de l'écran LCD" dans ce manuel d'instruction*).

image ne s'affiche pas ou n'est pas nette

1. Refaire la mise au point en réglant l'objectif (6). Ajuster le réglage de dioptrie si nécessaire en tournant l'oculaire (8) jusqu'à ce que les bords de l'écran LCD soient nets (*voir "Mise au point" dans ce manuel d'instruction*).
2. Vérifier l'état de la surface et de l'oculaire de la lentille de l'objectif et nettoyer si nécessaire.
3. Remplacer les piles.
4. Dans des conditions de luminosité extrêmement faible, activer l'illuminateur IR intégré (10).

L'image disparaît ou sa qualité est insuffisante

Des sources de lumière vive (*ex. des lampadaires la nuit*) peuvent être la cause d'une visibilité réduite ou d'un contraste réduit.

1. Eloignez le monoculaire de la source de lumière ; la visibilité se rétablira rapidement.
2. Réajuster le réglage de la luminosité de l'écran LCD.

Des petits points noirs sont visibles sur l'écran

Ces petits points noirs sont normaux. Ce sont des taches superficielles résultant du processus de fabrication de l'écran LCD. Elles ne constituent pas des défauts ou un problème de qualité. Ces points n'interfèrent pas avec la fiabilité ni la performance du monoculaire.

ENTRETIEN ET MAINTENANCE

Votre appareil de vision nocturne numérique Bushnell a été conçu pour durer. Pour s'assurer que vous profitez pleinement de votre appareil de vision nocturne numérique, suivez toujours les avertissements et précautions suivants.

- Tenir l'appareil éloigné de la chaleur et des courants d'air conditionné ou tout autre dispositif de chauffage, de la lumière directe du soleil et de l'humidité.
- Toujours ranger l'appareil dans sa housse dans un espace sec et bien ventilé, à une température de plus de 15 °C. Ne pas stocker près de dispositifs de chauffage. Ne pas stocker à la lumière directe du soleil ou dans des conditions très humides (plus de 70%).
- Nettoyer la lentille de l'objectif avec des produits d'entretien pour objectif d'appareil photo.
- Nettoyer l'extérieur de l'appareil avec un chiffon doux propre.
- Enlever les piles si l'appareil n'est pas utilisé pendant plusieurs semaines.

AVERTISSEMENT ET PRECAUTIONS

- Eviter de laisser tomber ou de cogner l'appareil. Bien qu'il soit conçu pour une utilisation extérieure, cet appareil comprend des circuits numériques sophistiqués qui peuvent être endommagés dans des cas extrêmes de mauvaise utilisation.
- Ne pas ouvrir le corps de l'appareil ou essayer de réparer cet appareil.
- Ne jamais verser d'alcool ni d'autres liquides directement sur les surfaces de la lentille.
- Ne pas nettoyer les lentilles ni les surfaces de l'appareil avec des produits contenant du papier, tels que du journal, du papier pour livres, etc., car ceci peut endommager le revêtement.
- Eviter d'enlever l'oculaire, ceci pourrait endommager l'écran LCD.
- Ne pas laisser l'appareil directement au soleil ou sous la pluie. Cet appareil est étanche mais il n'est pas prévu pour être exposé de manière prolongée à l'humidité et ne peut pas être submergé dans l'eau.
- Après avoir utilisé l'appareil dans des conditions de températures négatives, attendre au moins 3 heures à température ambiante pour éviter l'accumulation de condensation sur les surfaces internes des lentilles et par conséquent la buée causée par des différences de température extrêmes.

Caractéristiques techniques	260440 / 260441	260650 / 260651
Grossissement	4x	6x
Taille de l'objectif	40mm	50mm
Type de piles	(2) Piles au lithium CR-123	
Portée d'observation	738 ft / 225 m	984 ft / 300 m
Champ de vision à 100 yds/m	32 ft / 10m	23 ft / 14 m
Plage de température de fonctionnement	+14 ~+113 F / -10 ~ +45 C	
Dimensions (Haut. x Larg. x Long.)	65 x 100 x 164 mm	65 x 100 x 198 mm
Poids	13.0 oz / 370 g	19.9 oz / 564 g
Trépied montable	Oui	
Standard d'étanchéité	IPX4	
Exigences pour adaptateur CA	Prise CC de 4,5-6,5V, 500-600 mA, polarité de la prise de 3,5 mm de diamètre = embout positif	
Sortie vidéo	NTSC (Modèle #s 260440/260650) ou PAL (Modèle #s 260441/260651)	

Remarque: Le non-respect des avertissements et des précautions prescrits dans ce manuel peut endommager l'appareil et annuler la garantie du fabricant.

Traitement des déchets d'équipements électriques et électroniques

*(En vigueur dans l'Union européenne et autres pays européens
ayant des systèmes de collecte des déchets séparés)*

Cet équipement contient des composants électriques et/ou électroniques et par conséquent ne doit pas être éliminé en fin de vie avec les autres déchets ménagers. Vous devez au contraire vous débarrasser de ce produit afin qu'il soit recyclé aux points de collecte respectifs fournis par les communautés locales. Pour vous, ceci est sans frais.

Si l'équipement contient des piles amovibles (rechargeables), celles-ci doivent également être retirées de l'équipement et, si nécessaire, être éliminées à leur tour conformément aux règlements en vigueur (voir également les commentaires respectifs dans la notice d'utilisation de ce produit).

De plus amples renseignements à ce sujet sont disponibles auprès de votre mairie, votre compagnie de ramassage d'ordures locale, ou dans le magasin où vous avez acheté cet équipement.



GARANTIE LIMITÉE de UN ANNÉE

Votre produit Bushnell® est garanti exempt de défauts de matériaux et de fabrication pendant un année après la date d'achat. Au cas où un défaut apparaîtrait sous cette garantie, nous nous réservons l'option de réparer ou de remplacer le produit, à condition de nous le renvoyer en port payé. La présente garantie ne couvre pas les dommages causés par une utilisation, une manipulation, une installation incorrecte(s) ou un entretien incorrect ou fourni par quelqu'un d'autre qu'un centre de réparation agréé par Bushnell.

Tout retour effectué dans le cadre de la présente garantie doit être accompagné des articles indiqués ci-dessous :

- 1) Un chèque ou mandat d'une somme de 10,00 \$ US pour couvrir les frais d'envoi et de manutention
- 2) Le nom et l'adresse pour le retour du produit
- 3) Une description du défaut constaté
- 4) La preuve de la date d'achat
- 5) Le produit doit être emballé soigneusement, dans un carton d'expédition solide, pour éviter qu'il ne soit endommagé durant le transport ; envoyez-le en port payé, à l'adresse indiquée ci-dessous :

IAux États-Unis, envoyez à

Bushnell Outdoor Products
Attn.: Repairs
9200 Cody
Overland Park, Kansas 66214

Au CANADA, envoyez à:

Bushnell Outdoor Products
Attn.: Repairs
25A East Pearce Street, Unit 1
Richmond Hill, Ontario L4B 2M9

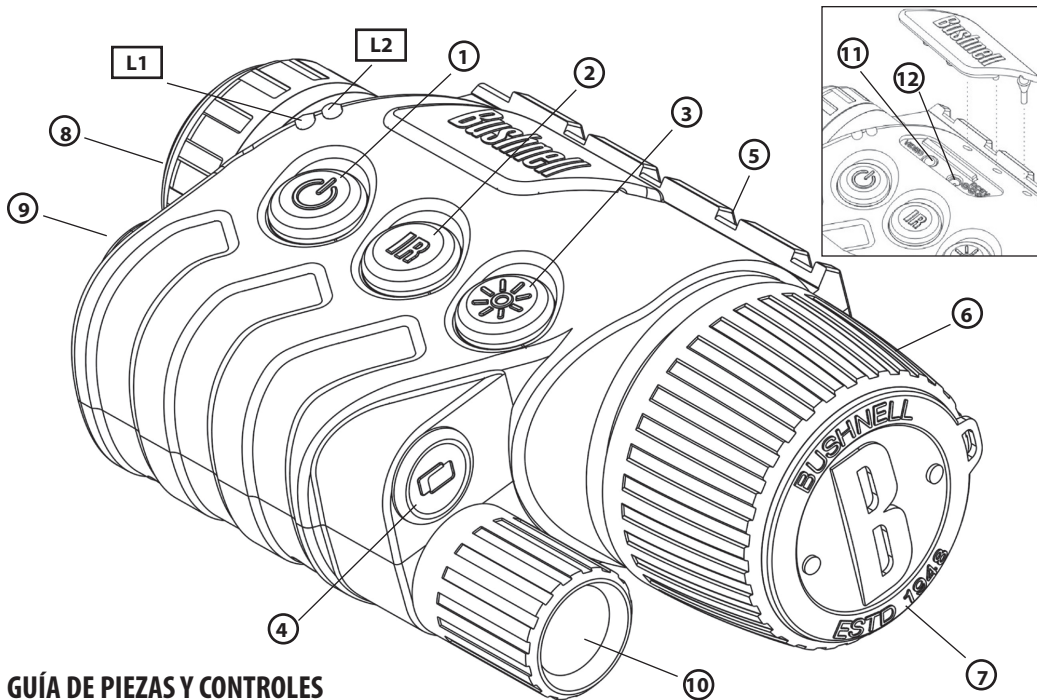
Pour les produits achetés en dehors des États-Unis et du Canada, veuillez contacter votre distributeur local pour tous renseignements concernant la garantie. En Europe, vous pouvez aussi contacter Bushnell au:

Bushnell Germany GmbH
European Service Centre
Mathias-Brüggen-Str. 80
D-50827 Köln
GERMANY
Tél: +49 221 995568-0
Fax: +49 221 995568-20

La présente garantie vous donne des droits légaux spécifiques.

Vous pouvez avoir d'autres droits qui varient selon les pays.

©2013 Bushnell Outdoor Products



GUÍA DE PIEZAS Y CONTROLES

ACERCA DEL VISOR NOCTURNO DIGITAL EQUINOX™ DE BUSHNELL®

Le felicitamos por haber adquirido su visor nocturno digital Equinox™ de Bushnell®. Formado por componentes electrónicos y ópticos de gran calidad, el Equinox de Bushnell es un sistema de observación con visión nocturna que utiliza un sensor (CCD) de dispositivo acoplado de carga para baja iluminación que ofrece una resolución y calidad de imagen de lado a lado que iguala o supera a las unidades analógicas "Gen 2" en cualquier gama. La óptica con recubrimiento multicapa completo aumenta la transmisión de la luz y reduce el deslumbramiento. La micropantalla LCD dispone de los modos de observación monocromo o verde "tradicional", seleccionables por el usuario. Ambos modelos Equinox tienen una eficiencia energética un 20% superior a otras unidades de visión nocturna, permitiendo una duración de las baterías superior a seis horas (sin IR). Los monoculares para visión nocturna digital Equinox 4x40 y 6x50 son suficientemente versátiles para muchas aplicaciones como caza, acampada, pesca en bote, exploración de cuevas, paintball, observación de estrellas, rescate/salvamento, supervisión de seguridad, vigilancia policial o grabación de vídeo en situaciones de luz continuamente variable, desde el amanecer hasta la oscuridad absoluta. El modelo Equinox 4x40 tiene un campo de visión de 9 m (10 yardas) a una distancia de observación de 90 m (100 yardas), ideal para observar objetos en movimiento. Las unidades de visión nocturna digital Equinox también incluyen un puerto de salida de vídeo que permite la conexión a un equipo de vídeo o informático para grabación o supervisión en vivo. Un carril de montaje para accesorios integrado (5) permite al usuario fijar un láser (para apuntar) u otros accesorios compatibles.

CÓMO FUNCIONA EL VISOR NOCTURNO DIGITAL

Los productos de Visión Nocturna Digital de Bushnell acumulan la luz existente a través de la lente del objetivo. La imagen es procesada por un módulo de sensor CCD de 1/3" sensible a la luz casi infrarroja y se transfiere a la micropantalla de cristal líquido (LCD). Las imágenes vistas en la LCD están ampliadas cuatro o seis veces (en función del modelo). Los modelos de visión nocturna digital Equinox incorporan un potente iluminador IR (infrarrojo) integrado (10) que hace posible una visión clara en condiciones de baja iluminación ambiental o incluso en una oscuridad total.

INSTALACIÓN DE LAS BATERÍAS

1. Abra el compartimiento de las baterías (9) desenroscando el tornillo de apriete (en el sentido de las agujas del reloj). Quite la tapa de las baterías.
2. Coloque dos baterías de litio CR123, con la polaridad en la dirección mostrada en la pared interna del compartimiento de las baterías.
3. Vuelva a colocar la tapa del compartimiento de las baterías y fíjela apretando el tornillo, girándolo en el sentido de las agujas del reloj hasta que esté apretado.

NOTA: No mezcle baterías nuevas y viejas. Sustituya ambas baterías al mismo tiempo. No mezcle tipos de batería.

ENCENDIDO

Retire la tapa protectora (7) de la lente del objetivo (6).

Presione el botón de encendido (1) hasta que se encienda el indicador LED verde (L1). La pantalla LCD del interior del ocular (8) se encenderá.

ENFOQUE

Dirija la unidad de visión nocturna Equinox hacia el objeto que desea observar. Para enfocar, gire primero el anillo de ajuste de dioptrías del ocular (8) hasta que los bordes de la pantalla LCD rectangular aparezcan lo más definidos posible ante sus ojos. Después gire el collarín de enfoque de la lente del objetivo (6) hasta que la imagen observada quede definida. Para enfocar a otro objeto a una distancia distinta, sólo tendrá que ajustar el collarín de enfoque de la lente del objetivo (6), pues el ajuste de dioptrías ya estará optimizado para su graduación personal. Es posible que tenga que readaptar el ajuste de dioptrías la siguiente vez que utilice la unidad Equinox o si el ocular se mueve accidentalmente.

APAGADO

Para apagar la unidad, mantenga presionado el botón de encendido (1) durante unos dos segundos hasta que se apague el indicador LED verde (L1). Vuelva a colocar la tapa protectora de la lente del objetivo (7) antes de guardar o transportar la unidad.

UTILIZACIÓN DEL ILUMINADOR DE IR

Si utiliza la unidad en condiciones de oscuridad total, encienda el iluminador de IR (10) presionando el botón IR (2). Cuando se encienda el iluminador IR también lo hará el indicador LED rojo (L2).

NOTA: *La fuente de luz IR es invisible para el ojo desnudo, pero puede ser vista por otras personas que lleven dispositivos de visión nocturna (téngalo en cuenta si utiliza la unidad en aplicaciones de vigilancia o policiales).*

Para apagar el iluminador IR, mantenga presionado el botón IR (2) durante unos tres a cuatro segundos hasta que se apague el indicador LED verde (L2). (Tenga en cuenta que el iluminador IR no se apaga instantáneamente sino que "va decayendo"). El iluminador IR también se apagará si se apaga la corriente de la unidad manteniendo apretado el botón de encendido (1).

Al encenderlo el iluminador IR está al ajuste de brillo máximo. Para reducir el brillo, presione el botón IR (2) hasta alcanzar el nivel de iluminación deseado y luego suelte el botón. Para aumentar el brillo del iluminador IR si lo reduce demasiado, repita el proceso encendiendo el IR (para volver a empezar desde el ajuste máximo) y vuelva a apretarlo brevemente (si es necesario) para ajustar el brillo hasta el valor deseado.

AJUSTE DEL BRILLO DE LA PANTALLA LCD

Para aumentar y reducir el brillo de la pantalla LCD, mantenga apretado el botón de brillo de la LCD (3). Para invertir el sentido del ajuste del brillo, suelte el botón de brillo de la LCD (3) y después manténgalo apretado hasta alcanzar un nivel de brillo que permita una observación cómoda.

NOTA: *Al volver a encender la unidad, el nivel de brillo de la pantalla LCD será el mismo ajustado previamente.*

CONMUTACIÓN DEL COLOR DE LA PANTALLA LCD

Para cambiar el color de la pantalla LCD de verde a blanco y viceversa, pulse rápidamente el botón de modo de color de retroiluminación de la LCD (4).

INDICADORES DE BATERÍAS BAJAS

El LED verde (*L1*) empieza a destellar si la capacidad de la batería está, aproximadamente, por debajo del 15% de la carga completa. Sustituya ambas baterías tal como se indica en "**Instalación de las baterías**".

CONECTOR DE SALIDA DE VÍDEO

El dispositivo incorpora un conector de salida de vídeo analógica (compuesta). Conecte el cable de vídeo entre el conector de salida de vídeo (*11*) y un dispositivo compatible (videgrabadora, cámara, monitor de vídeo, interfaz de vídeo del ordenador, etc.) para observar o grabar a distancia la imagen generada por la unidad de visión nocturna digital Equinox. Se dispone de una base para trípode estándar. **Consulte en "Especificaciones" la compatibilidad con el sistema de vídeo NTSC/PAL del número de modelo de su Equinox.**

CONECTOR DE ENTRADA DE CORRIENTE CC EXTERNA

Para conectar el dispositivo a una salida de CC de un vehículo ("*base del encendedor*"), enchufe el adaptador para corriente de vehículo incluido en el conector de entrada de corriente de 5 Vcc (*12*) y conecte el otro extremo a la salida de corriente del vehículo

ATENCIÓN: *El voltaje generado por el sistema eléctrico de un vehículo puede ser de 12 o 24 V según el modelo. Las unidades de visión nocturna Equinox se han diseñado para un voltaje de entrada CC de 5 V, por tanto no debe enchufarse el dispositivo a la salida del vehículo mediante un adaptador de 12 V comercial. Utilice únicamente el adaptador eléctrico suministrado, que incorpora un convertidor de 12-24 V a 5 V y un fusible de seguridad.*

NOTA: Para conectar el dispositivo a una toma de CA doméstica de 220 V, puede utilizar cualquier adaptador de CA comercial (NO INCLUIDO) que cumpla los requisitos indicados en la lista de especificaciones de este manual.

ATENCIÓN: *Las baterías montadas en el compartimento de las baterías del dispositivo no se pueden cargar al conectar el dispositivo a un adaptador/fuente de alimentación de CC o CA externo.*

RESOLUCIÓN DE PROBLEMAS

La unidad no se enciende

1. Vuelva a colocar las baterías, comprobando la correcta orientación de la polaridad (terminales +/-).
2. Sustituya ambas baterías.
3. Limpie el compartimiento de las baterías, especialmente los puntos de contacto.

La imagen observada es demasiado brillante

El nivel de iluminación ambiental es demasiado alto (*p.ej. observación en condiciones de sol brillante*).

1. Apague la unidad o coloque la tapa (7) de la lente del objetivo. La unidad funcionará normalmente en condiciones de iluminación por debajo de 25.000 Lx (luz diurna).
2. Ajuste el brillo de la pantalla LCD (consulte "**Ajuste del brillo de la pantalla LCD**" de este manual de instrucciones).

No hay imagen o no está enfocada

1. Vuelva a enfocar ajustando la lente del objetivo (6). Ajuste el valor de dioptrías si es necesario girando el ocular (8) hasta que los bordes de la pantalla LCD rectangular están bien definidos (consulte "Enfoque" de este manual de instrucciones).
2. Compruebe el estado de la superficie de la lente del objetivo (6) y del ocular (8) y límpielos si es necesario.
3. Sustituya las baterías.
4. En situaciones de iluminación extremadamente baja, active el iluminador de IR integrado (10).

La imagen desaparece o su calidad es reducida

Las fuentes de luz brillantes (*p.ej. el alumbrado público en horas nocturnas*) pueden provocar una menor visibilidad o una reducción del contraste.

1. Aparte el monocular de la fuente de luz y la visibilidad volverá momentáneamente.
2. Reajuste el valor del brillo de la pantalla LCD.

Se ven unos puntitos negros en la pantalla

Los puntitos son normales, manchas estéticas sin importancia derivadas del proceso de fabricación de la LCD, y no son un defecto y un error de control de calidad. Estos puntos no interfieren en la fiabilidad ni las prestaciones del monocular.

CUIDADO Y MANTENIMIENTO

Su dispositivo de Visión Nocturna Digital Equinox de Bushnell se diseñó para proporcionar muchos años de servicio fiable. Para asegurarse que usted consigue lo mejor de dispositivo de Visión Nocturna Digital, siga las siguientes advertencias y precauciones siempre.

- Guarde el dispositivo lejos de cualquier corriente de aire acondicionado o calefacción u otros dispositivos calentadores, de la luz solar directa y de la humedad.
- Guarde siempre la unidad en su estuche de transporte, en un lugar seco y bien ventilado, y a una temperatura superior a +15°C (60° F). No la guarde cerca de dispositivos calefactores. No la guarde bajo la luz solar directa ni en condiciones de humedad elevada (superior al 70 %).
- Limpie la lente con productos de limpieza de lentes de cámara.
- Limpie el exterior del dispositivo con un paño limpio y suave.
- Retire las baterías si no va a usar el dispositivo en varias semanas.

ADVERTENCIA Y PRECAUCIONES

- Evite que la unidad se caiga o se golpee. Aunque está diseñado para el uso al aire libre, este dispositivo incluye un circuito digital sofisticado que podría resultar dañado en casos extremos del mal uso.
- No abra el cuerpo del dispositivo ni intente revisar este dispositivo.
- Nunca vierta alcohol ni ningún otro líquido directamente sobre las superficies de las lentes.
- No limpie las lentes ni las superficies de la unidad con productos de papel, como periódicos, papel de libros, etc. pues podrían dañar el recubrimiento.
- Evite retirar el ocular ya que la pantalla LCD podría quedar dañada.
- No deje el dispositivo bajo la luz del sol o la lluvia. La unidad es resistente al agua, pero no se ha diseñado para una exposición prolongada a la humedad ni puede sumergirse en agua.
- Después de utilizar la unidad a temperaturas por debajo de cero, espere como mínimo tres horas a temperatura ambiente interior para evitar la acumulación de condensación en las superficies internas de las lentes y el consiguiente empañamiento provocado por las diferencias de temperatura extremas.

Especificaciones	260440 / 260441	260650 / 260651
Aumento	4x	6x
Tamaño del Objetivo	40mm	50mm
Tipo de Batería	(2) CR-123 de litio	
Rango de visión	738 ft / 225 m	984 ft / 300 m
Campo de visión a 100 yardas/m	32 ft / 10m	23 ft / 14 m
Rango de Temperatura de Funcionamiento	+14 ~+113 F / -10 ~ +45 C	
Dimensiones (H x A x L)	65 x 100 x 164 mm	65 x 100 x 198 mm
Peso	13.0 oz / 370 g	19.9 oz / 564 g
Trípode desmontable	Sí	
Norma de resistencia al agua	IPX4	
Requisitos del adaptador de CA	Salida de 4,5-6,5 Vcc, 500-600 mA, enchufe de 3,5 mm de diámetro con polaridad = punta positiva	
Salida de vídeo	NTSC (n.º de modelo s 260440/260650) o PAL (n.º de modelo 260441/260651)	

Nota: Si no respeta las advertencias y precauciones indicadas en este manual se puede dañar la unidad y anularse la garantía del fabricante.

Eliminación de equipos eléctricos y electrónicos

(Aplicable en la UE y otros países europeos con sistemas de recogida separada)

Este equipo contiene elementos eléctricos o electrónicos y por tanto no debe eliminarse con los residuos domésticos normales. En cambio, debe eliminarse en los correspondientes puntos de recogida para reciclaje previstos por las comunidades. Para usted resultará gratuito.

Si el equipo incorpora baterías intercambiables (recargables), estas también deben retirarse antes y, si es necesario, eliminarlas de acuerdo con las regulaciones correspondientes (consulte también los comentarios al efecto de las instrucciones de estas unidades).

La administración de su comunidad, su empresa local de recogida o la tienda en la que adquirió este equipo pueden proporcionarle información adicional sobre este tema



GARANTÍA LIMITADA de UN AÑO

Su producto Bushnell® está garantizado contra defectos de materiales y fabricación durante un año después de la fecha de compra. En caso de defectos bajo esta garantía, nosotros, a nuestra opción, repararemos o sustituiremos el producto siempre que lo devuelva con portes pagados. Esta garantía no cubre defectos causados por el uso indebido, ni por un manejo, instalación o mantenimiento realizados por alguien que no sea un departamento de servicio autorizado de Bushnell.

Cualquier envío que se haga bajo esta garantía deberá ir acompañado por lo siguiente:

- 1) Un cheque/giro postal por la cantidad de 10 dólares para cubrir los gastos postales y de manejo
- 2) Nombre y dirección donde quiere que se le envíe el producto
- 3) Una explicación del defecto
- 4) Una prueba de la fecha de compra
- 5) El producto debe empaquetarse bien en una caja resistente para evitar que se dañe durante el transporte, con los portes prepagados a la dirección que se muestra a continuación:

En EE.UU. enviar a:

Bushnell Outdoor Products
Attn.: Repairs
9200 Cody
Overland Park, Kansas 66214

En CANADÁ enviar a:

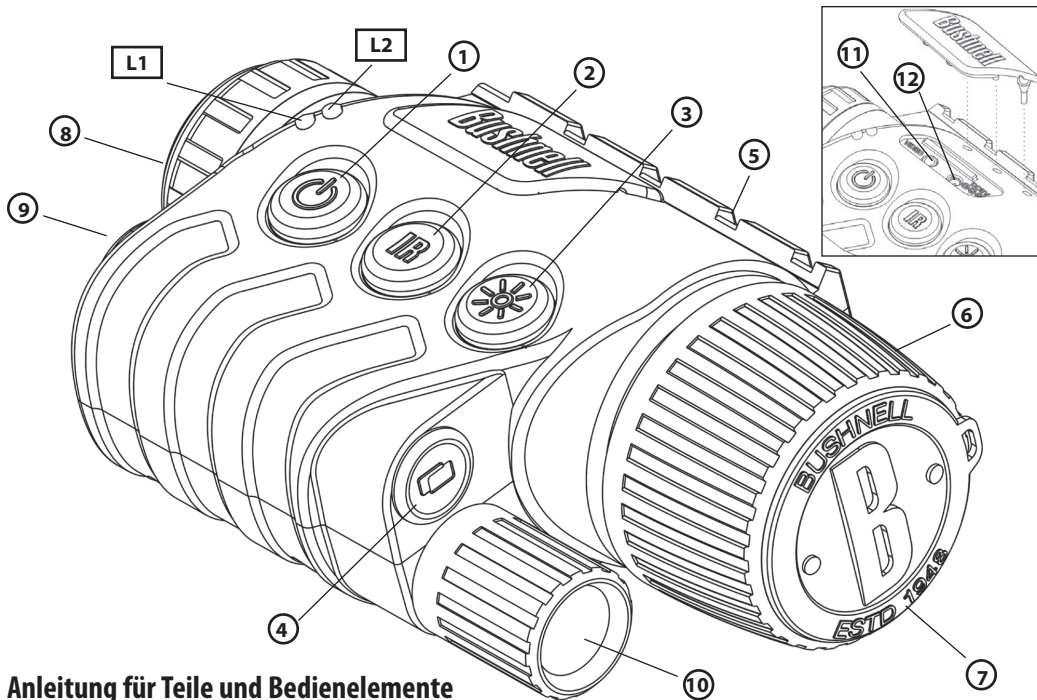
Bushnell Outdoor Products
Attn.: Repairs
25A East Pearce Street, Unit 1
Richmond Hill, Ontario L4B 2M9

En el caso de productos comprados fuera de Estados Unidos o Canadá, póngase en contacto con su distribuidor local para que le den la información pertinente sobre la garantía. En Europa también puede ponerse en contacto con Bushnell en:

Bushnell Germany GmbH
European Service Centre
Mathias-Brüggen-Str. 80
D-50827 Köln
GERMANY
Tél: +49 221 995568-0
Fax: +49 221 995568-20

Esta garantía le ofrece derechos legales específicos.
Puede que tenga otros derechos que varían de un país a otro.

©2013 Bushnell Outdoor Products



Anleitung für Teile und Bedienelemente

ANGABEN ZUM DIGITALEN NACHTSICHTGERÄT ® EQUINOX™ VON BUSHNELL

Wir gratulieren Ihnen zum Kauf Ihres digitalen Nachtsichtgerätes Equinox™ von Bushnell®. Bei dem aus hochwertigen Elektronik- und optischen Komponenten bestehenden Equinox von Bushnell handelt es sich um ein tragbares digitales Nachtsichtsystem, das mit einem schwach beleuchteten und hochempfindlichen CCD-Sensor ausgerüstet ist, der für eine hohe Auflösung sorgt und den analogen Geräten der Generation 2+ entspricht und teilweise bei allen Reichweiten noch überlegen ist. Die mehrfache Beschichtung auf allen Linsenoberflächen erhöht die Lichtdurchlässigkeit und vermindert Reflexionen. Das LCD-Micro-Display verfügt über einen einstellbaren monochromen oder traditionell grünen Sichtmodus. Beide Equinox-Modelle weisen eine um 20 % höhere Energieeffizienz als andere digitale Nachtsichtgeräte auf, was zu einer über 6 Stunden längeren Batterielebensdauer führt (ohne IR). Die digitalen Nachtsichtgeräte Equinox 4 x 40 und 6 x 50 decken einen breiten Einsatzbereich ab und eignen sich für Jagd, Camping, Angel- und Bootausflüge, Höhlenklettern, Paintball, Sternebeobachtungen, Rettungs- und Bergungseinsätze, Sicherheitsüberwachungen, Strafverfolgung sowie Videoaufnahmen unter sich ständig verändernden Lichtverhältnissen, von der Dämmerung bis zur völligen Dunkelheit. Das Equinox-Modell 4 x 40 hat ein Sichtfeld von 10 Yards bei einer Beobachtungsentfernung von 100 Yards, wodurch es ideal zum Beobachten von sich bewegenden Objekten geeignet ist. Die digitalen Nachtsichtgeräte der Equinox-Reihe verfügen ebenfalls über einen Videoausgang für den Anschluss an einem Videogerät oder Computer für Aufnahmen oder Filme in Echtzeit. An der eingebauten Montageleiste (5) lässt sich ein Laser (zum Zielen) oder weiteres, passendes Zubehör befestigen.

FUNKTIONSWEISE DES DIGITALEN NACHTSICHTGERÄTS

Die digitalen Nachtsichtgeräte von Bushnell erfassen vorhandenes Licht durch die Objektivlinse. Danach wird das Bild durch einen empfindlichen 1/3" Nah-Infrarot CCD-Sensor verarbeitet und in das Micro-LCD-Display übertragen. Die auf dem LCD erscheinenden Bilder werden in 4- bis 6-facher Vergrößerung angezeigt (je nach Modell). Eingebaut in die digitalen Nachtsichtgeräte der Modellreihe Equinox ist ein leistungsstarker IR-Illuminator (10), der auch bei schwachen Lichtverhältnissen oder völliger Dunkelheit klare Sicht garantiert.

BATTERIEN EINLEGEN

1. Das Batteriefach durch (9) Lockern der Schrauben im Uhrzeigersinn öffnen. Die Batterieabdeckung entfernen.
2. Zwei CR123-Lithium-Batterien einlegen. Achten Sie darauf, dass die Pole der Batterien wie in dem Batteriefach angezeigt eingelegt werden.
3. Batterieabdeckung wieder anbringen und durch Drehen der Schraube im Uhrzeigersinn sicher befestigen.
Hinweis: Alte und neue Batterien nicht zusammen in das Gerät einlegen. Stets beide Batterien gleichzeitig austauschen. Nur Batterien einer Sorte verwenden

EINSCHALTEN

Entfernen der Schutzabdeckung (7) über der Linse (6).

Die ON-Taste solange gedrückt halten (1), bis sich die grüne LED-Leuchte (L1) einschaltet. Die LCD-Anzeige im Okular (8) schaltet sich ein.

FOKUSSIEREN

Das Equinox-Nachtsichtgerät auf das gewünschte Beobachtungsobjekt richten. Fokussieren: Den Ring für den Dioptrienausgleich am Okular solange drehen(8), bis die Ränder der LCD-Anzeige die für Ihre Augen optimale Schärfe erreicht haben. Dann an der Schärfeeinstellung der Linse drehen (6), bis das fokussierte Objekt scharf erscheint. Zum Fokussieren eines weiteren Objekts in einer anderen Entfernung muss lediglich die Fokussierung an der Linse eingestellt werden (6), da der Dioptrienausgleich bereits auf Ihr Sehvermögen optimiert wurde. Möglicherweise muss der Dioptrienausgleich bei der nächsten Nutzung Ihres Equinox-Gerätes oder einer versehentlichen Bewegung des Okulars neu eingestellt werden.

AUSSCHALTEN

Zum Ausschalten die ON-Taste (1) 2 Sekunden gedrückt halten, bis die grüne LED-Leuchte (L1) erlischt. Vor Lagerung oder Transport des Gerätes (7) die Verschlusskappe wieder aufsetzen.

VERWENDUNG DES IR-ILLUMINATORS

Wird das Gerät bei völliger Dunkelheit eingesetzt, durch Drücken der IR-Taste (10) den IR-Illuminator einschalten (2). Bei aktiviertem IR-Illuminator leuchtet die LED-Anzeige (L2) rot.

Hinweis: Für das bloße Auge ist die IR-Lichtquelle unsichtbar, wird aber von anderen, ebenfalls mit einem Nachtsichtgerät ausgestatteten Personen erkannt (darauf ist besonders dann zu achten, wenn das Gerät zur Überwachung oder Strafverfolgung eingesetzt wird).

Zum Ausschalten die IR-Taste (2) 3 bis 4 Sekunden gedrückt halten, bis die rote LED-Leuchte (L2) erlischt. (Beachten Sie bitte, dass sich der IR-Illuminator nicht sofort ausschaltet, sondern langsam ausgeblendet wird). Der IR-Illuminator schaltet sich auch bei Unterbrechung der Stromzufuhr durch Drücken und Halten der ON-Taste (1) aus.

Beim ersten Einschalten ist der IR-Illuminator auf maximale Helligkeit eingestellt. Zum Verringern der Helligkeit die IR-Taste solange gedrückt halten (2), bis die gewünschte Helligkeit erreicht ist und dann loslassen. Falls die Einstellung des IR-Illuminators zu weit nach unten reguliert wurde, lässt sich die Helligkeit durch Wiederholen des Vorgangs des Einschaltens des IR-Illuminators wieder herstellen (um das Gerät mit der maximalen Helligkeit neu zu starten). Dazu wieder kurz auf die IR-Taste drücken (falls erforderlich), um die gewünschte Helligkeit einzustellen.

EINSTELLEN DER HELLIGKEIT DER LCD-ANZEIGE

Die Einstellung der Helligkeit der LCD-Anzeige erfolgt durch Drücken und Halten der Taste für die Helligkeit der LCD-Anzeige (3). Um die Einstellung wieder rückgängig zu machen, die Taste für die Einstellung der LCD-Helligkeit loslassen (3) und sie im Anschluss drücken und halten, bis die gewünschte Helligkeitsstufe für eine angenehme Sicht erreicht ist.

Hinweis: Die Einstellung der Helligkeit der LCD-Anzeige wird gespeichert und bleibt bis nach dem erneuten Einschalten des Gerätes bestehen.

ÄNDERN DER FARBE IN DER LCD-ANZEIGE

Durch einen schnellen Druck auf die Taste für die Hintergrundbeleuchtung der LCD-Anzeige lässt sich die Farbe der LCD-Anzeige von grün zu weiß oder von weiß zu grün ändern (4).

ANZEIGE FÜR NIEDRIGE BATTERIELEISTUNG

Niedrige Batterieleistung wird durch Blinken der grünen LED (**L1**)-Leuchte angezeigt. Es besteht noch eine Restkapazität von ca. 15%. Beide Batterien gemäß den Anweisungen im Abschnitt "**Batterien einlegen**" austauschen.

VIDEO OUT JACK

Das Gerät verfügt über einen analogen FBAS-Videoausgang. Das Videokabel an den Videoausgang (**11**) und ein kompatibles Gerät anschließen (Videorecorder, Camcorder, Videomonitor, Computer-Video-Schnittstelle, etc.) für Fernbeobachtungen oder Aufzeichnung der von dem digitalen Equinox-Nachtsichtgerät aufgezeichneten Aufnahmen. Ein Standardgewinde für ein Stativ ist im Lieferumfang enthalten. ***Lesen Sie im Kapitel "technische Daten" in Bezug auf die Kompatibilität für NTSC/PAL-Videosysteme für die Modellnummer Ihres Equinoxgerätes nach.***

EXTERNER DC-STROMEINGANG

Zum Anschließen des Geräts an den Gleichstromausgang eines (*Zigarettenanzünders*) in einem Fahrzeug, den mitgelieferten Fahrzeugadapter an den 5V-Gleichstromeingang anschließen (**12**) und mit dem Stromausgang im Fahrzeug verbinden

WARNUNG: Die in einem Fahrzeug erzeugte Voltzahl kann je nach Modell zwischen 12 und 24 V liegen. Die Equinox-Nachtsichtgeräte sind für eine DC-Eingangsspannung von 5 V ausgelegt, das Gerät sollte in einem Fahrzeug daher nicht mit einem auf dem Ersatzteilmarkt erworbenen 12-V-Adapter angeschlossen werden. Ausschließlich den mitgelieferten mit einem Spannungswandler von 12 auf 24 V und einer Sicherung ausgestatteten Adapter verwenden.

Hinweis: Zum Anschließen des Geräts an eine im Haushalt übliche Wechselstromquelle kann ein beliebiger handelsüblicher AC-Adapter (NICHT IM LIEFERUMFANG ENTHALTEN) verwendet werden, der den im Kapitel "**technische Daten**" in dieser Anleitung beschriebenen Anforderungen entspricht.

WARNUNG: Die Batterien im Batteriefach des Geräts können nicht geladen werden, wenn das Gerät über eine externe DC- oder AC-Stromquelle oder einen Adapter angeschlossen ist.

FEHLERBEHEBUNG

Gerät schaltet sich nicht ein

1. Batterien neu einlegen und auf die richtige Polarität achten (+/--Anschluss).
2. Beide Batterien austauschen.
3. Das Batteriefach reinigen, besonders die Kontaktstellen.

Das beobachtete Objekt ist zu hell

Die Umgebung ist zu hell (z.B. *Beobachtungen in der prallen Sonne*).

1. Das Gerät ausschalten oder die Linsenabdeckung (7) über die Linse halten. Bei Lichtverhältnissen unter 25.000 Lux (Tageslicht) weist das Gerät eine normale Funktionsweise auf.
2. Die Helligkeit der LCD-Anzeige einstellen (s. "**Einstellen der Helligkeit der LCD-Anzeige**" in dieser Anleitung).

Das Bild wird gar nicht oder nur unscharf angezeigt

1. Erneute Einstellung der Schärfe durch Anpassen der Objektivlinse (6). Falls erforderlich den Dioptrienausgleich durch Drehen des Okulars einstellen(8), bis die Ränder der LDC-Anzeige scharf angezeigt werden (s."**Fokussieren**" in dieser Anleitung).
2. Die Oberfläche der Objektivlinse (6) und des Okulars prüfen (8) und gegebenenfalls reinigen.
3. Batterien austauschen.
4. Aktivieren Sie bei extrem schlechten Lichtverhältnissen den eingebauten IR-Illuminator (10).

Das Bild verschwindet, bzw. die Qualität verschlechtert sich

Helle Lichtquellen (z. B. *bei Nacht eingeschaltete Straßenlaternen*) können zu einer Einschränkung von Sichtbarkeit oder Kontrast führen.

1. Bewegen Sie das Handfernrohr von der Lichtquelle weg, wodurch die Sichtbarkeit umgehend wieder hergestellt wird.
2. Einstellen der Helligkeit für die LCD-Anzeige.

Auf der Anzeige erscheinen kleine schwarze Punkte

Kleine Punkte sind normal und geringfügige Oberflächenfehler infolge des LCD-Herstellungsprozesses, und stellen weder einen Mangel, noch ein Versäumnis der Qualitätskontrolle dar. Auf die Zuverlässigkeit und Leistung des Geräts haben diese Pünktchen keinen Einfluss.

PFLEGE UND INSTANDHALTUNG

Ihr digitales Nachtsichtgerät von Bushnell wurde für langjährigen Einsatz entwickelt und gebaut. Damit Sie lange Freude an Ihrem digitalen Nachtsichtgerät haben, beachten Sie stets die folgenden Warnungen und Vorsichtsmaßnahmen.

- Halten Sie das Gerät von jeglichen Heizungen und Ventilatoren oder anderen Wärmequellen, direktem Sonnenlicht und Feuchtigkeit fern.
- Das Gerät ist stets in seinem Etui an einem trockenen und gut belüfteten Ort bei Temperaturen über 15° C (60° F) aufzubewahren. Nicht in der Nähe von Wärmequellen aufbewahren. Nicht in der direkten Sonne oder bei hoher Luftfeuchtigkeit aufbewahren (über 70 %).
- Die optische Linse mit Reinigungsmitteln für Kameralinsen reinigen.
- Reinigen Sie das Äußere des Geräts mit einem weichen, sauberen Tuch.
- Entfernen Sie die Batterien, wenn das Gerät für mehrere Wochen nicht verwendet wird.

WARNUNGEN UND VORSICHTSMASSNAHMEN

- Vermeiden Sie ein Herunterfallen oder anderweitige Stöße des Geräts. Obwohl das Gerät für raue Outdoor-Anwendungen gebaut wurde, enthält es hochentwickelte digitale Schaltungen, die in extremen Fällen von Fehlgebrauch beschädigt werden können.
- Öffnen Sie niemals das Gehäuse des Geräts und versuchen Sie nicht, das Gerät instanzzusetzen.
- Zu keiner Zeit Alkohol oder sonstige Flüssigkeiten auf die Linsenoberfläche gießen.
- Die Linsen und Geräteoberflächen nicht mit Produkten auf Papierbasis reinigen (Zeitungs- oder Buchpapier, etc.), da dies zu einer Beschädigung der Beschichtung führen kann.
- Nehmen Sie das Okular nicht ab, da ansonsten das LCD-Display beschädigt werden könnte.
- Setzen Sie das Gerät niemals direktem Sonnenlicht oder Regen aus. Auch wenn das Gerät wasserabweisend ist, sollte es nicht über einen längeren Zeitraum Feuchtigkeit ausgesetzt und in Wasser eingetaucht werden.
- Nach dem Gebrauch des Geräts bei Temperaturen unter Null mindestens 3 Stunden bei Zimmertemperatur warten, um Kondensatbildung auf den Linseninnenflächen und Beschlagen infolge hoher Temperaturunterschiede zu vermeiden.

TECHNISCHE DATEN	260440 / 260441	260650 / 260651
Vergrößerung	4x	6x
Objektivgröße	40mm	50mm
Battertyp	(2) CR-123 Lithium	
Sichtbereich	738 ft / 225 m	984 ft / 300 m
Sichtfeld @ 100 Yard/m	32 ft / 10m	23 ft / 14 m
Betriebstemperaturen	+14 ~+113 F / -10 ~ +45 C	
Abmessungen (H x B x T)	65 x 100 x 164 mm	65 x 100 x 198 mm
Gewicht	13.0 oz / 370 g	19.9 oz / 564 g
Montagemöglichkeit Stativ	Ja	
Wasserdichtheitsnorm	IPX4	
Voraussetzungen für AC-Adapter	4,5 - 6,5 V DC-Ausgang, 500-600 mA, Anschluss 3,5 mm Durchmesser Polarität = Pluspol	
Videoausgang	NTSC (Modellnummern 260440/260650) oder PAL (Modellnummern 260441/260651)	

Hinweis: Nichtbefolgen der in dieser Anleitung genannten Warnungen und Vorsichtsmaßnahmen kann zu Schäden am Gerät und dem Erlöschen der Herstellergarantie führen.

Entsorgung von elektrischen und elektronischen Ausrüstungen

(Gültig in der EU und anderen europäischen Ländern mit getrennten Sammelsystemen)

Diese Ausrüstung enthält elektrische und/oder elektronische Bauteile und darf deshalb nicht im normalen Haushaltsmüll entsorgt werden. Stattdessen sollte sie an den entsprechenden Sammelstellen für Recycling der jeweiligen Gemeinden abgegeben werden. Ihnen entstehen hierdurch keine Kosten.

Wenn die Ausrüstung austauschbare (wiederaufladbare) Batterien enthält, müssen diese zuvor auch herausgenommen werden und, falls nötig, entsprechend der geltenden Vorschriften entsorgt werden (siehe auch die jeweiligen Anmerkungen in der Anleitung dieses Instruments).

Weitere Informationen zu diesem Thema sind in Ihrer Gemeinde-/Stadtverwaltung, Ihrem regionalen Abfallentsorgungsunternehmen oder in dem Geschäft, in dem Sie Ihr Equipment gekauft haben, erhältlich.



GEWÄHRLEISTUNGSFRIST EIN JAHR

Auf das von Ihnen erworbene Produkt der Firma Bushnell® gewähren wir 1 Jahre Garantie auf Materialmängel und Verarbeitung, gültig ab dem Kaufdatum. Falls während dieser Garantiezeit ein Mangel auftreten sollte, behalten wir uns die Entscheidung darüber vor, das Produkt zu reparieren oder zu ersetzen, unter der Voraussetzung, dass der Kunde das Produkt porto- und versandkostenfrei an uns zurückschickt. Diese Gewährleistung schließt keinerlei Schäden ein, die durch Missbrauch, unsachgemäßen Umgang, Einbau oder durch fehlerhafte Wartung verursacht wurden, und gilt ebenfalls nicht, wenn diese Tätigkeiten von anderen Personen als den durch die Kundendienstabteilung der Firma Bushnell hierfür autorisierten Personen durchgeführt wurden.

Jegliche Rücksendung, die in bezug auf diese Gewährleistung erfolgt, muss folgende Begleitpapiere enthalten:

- 1) Einen Scheck/Bargeld in Höhe von \$10.00 für die Porto- und Handlingkosten
- 2) Name und Adresse für Rücksendung des Produkts
- 3) Eine genaue Erläuterung des Mangels
- 4) Beleg des Kaufdatums
- 5) Das Produkt ist in einem stabilen Versandkarton gut zu verpacken, um Beschädigungen beim Transport zu vermeiden, die Portospesen für den Versand an nachstehend aufgeführte Adresse sind im Voraus zu entrichten:

Versandadresse für die U.S.A.:

Bushnell Outdoor Products
Attn.: Repairs
9200 Cody
Overland Park, Kansas 66214

Versandadresse für Kanad:

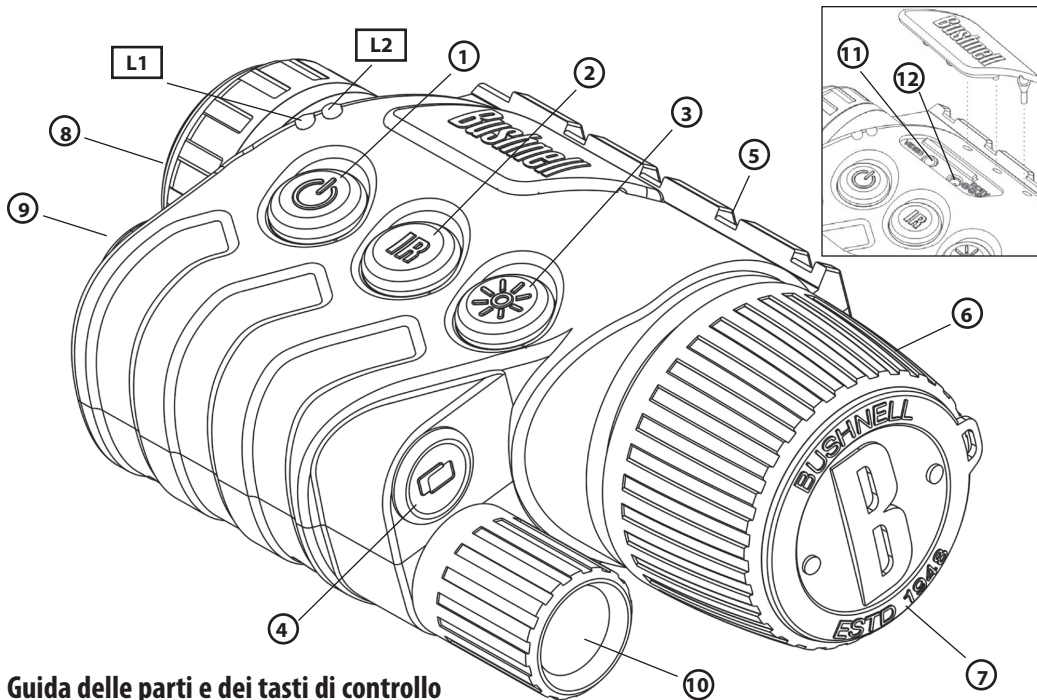
Bushnell Outdoor Products
Attn.: Repairs
25A East Pearce Street, Unit 1
Richmond Hill, Ontario L4B 2M9

Was Produkte anbelangt, die nicht in den U.S.A. oder in Kanada gekauft wurden, erfragen Sie bitte die gültigen Garantiebedingungen bei Ihrem örtlichen Händler. Innerhalb Europas kann die Firma Bushnell unter folgender Adresse kontaktiert werden:

Bushnell Germany GmbH
European Service Centre
Mathias-Brüggen-Str. 80
D-50827 Köln
GERMANY
Tél: +49 221 995568-0
Fax: +49 221 995568-20

Diese Gewährleistung räumt Ihnen besondere juristische Rechte ein.
Für die jeweiligen Länder gelten möglicherweise länderspezifische Rechte.

©2013 Bushnell Outdoor Products



Guida delle parti e dei tasti di controllo

PRESENTAZIONE DI BUSHNELL® EQUINOX™ DIGITAL NIGHT VISION

Congratulazioni per aver acquistato Bushnell® Equinox™ Digital Night Vision. Dotato di componenti elettroniche e ottiche di alta qualità, Bushnell Equinox è un dispositivo portatile digitale per la visione notturna che impiega un sensore CCD (charge-coupled device) a luce bassa per garantire una risoluzione di precisione con qualità dell'immagine pari o perfino superiore alle unità analogiche "Gen 2" per qualsiasi portata. Le ottiche a rivestimento completo multiplo aumentano la trasmissione della luce e ne diminuiscono il riflesso. Lo schermo micro-display LCD offre modalità di visualizzazione monocromatica o verde "tradizionale", selezionabili dall'utente. Entrambi i modelli Equinox presentano una efficacia maggiore del 20% rispetto ad altre unità digitali di visione notturna, con una durata della batteria superiore alle 6 ore (senza RI). I monoculari Equinox Digital Night Vision 4x40 e 6x50 sono talmente versatili da adattarsi ai più svariati contesti, quali caccia, campeggio, navigazione/pesca, attività di scavo, paintball, studio delle stelle, operazioni salvataggio/recupero, sorveglianza di sicurezza, misure di sicurezza, registrazioni video in condizioni luminose in costante cambiamento, dall'alba all'oscurità più profonda. Il modello Equinox 4 x 40 presenta un campo visivo fino a 9 metri ad una distanza di osservazione di 90 metri, ideale per la visualizzazione di oggetti in movimento. Le unità Equinox Digital Night Vision sono altresì dotate di una porta di uscita video che consente il collegamento a dispositivi video o computer per la registrazione o il monitoraggio "live". Il binario di montaggio interno per accessori (5) consente all'utente di collegare un laser (per il puntamento) o altri accessori compatibili.

MODALITÀ DI FUNZIONAMENTO DEGLI APPARECCHI DIGITALI PER LA VISIONE NOTTURNA

I prodotti digitali per la visione notturna Bushnell raccolgono la luce esistente attraverso le lenti dell'obiettivo. L'immagine viene quindi elaborata attraverso un modulo sensore CCD sensibile all'infrarosso vicino da 1/3" e viene quindi trasferita al micro-display a cristalli liquidi (LCD). Le immagini visualizzate sul LCD vengono ingrandite 4 o 6 volte (in base al modello). I modelli Equinox Digital Night Vision sono dotati di un potente illuminatore IR (infrarossi) interno (10) che consente la visione nitida in ambienti a condizioni luminose basse o perfino in totale oscurità.

INSTALLAZIONE BATTERIA

1. Aprire il vano batteria (9) svitando il bullone di fissaggio (in senso orario). Rimuovere il cappuccio della batteria.
2. Installare due batterie al litio CR123, inserendole rispettando la polarità secondo la direzione indicata sulla parete interna del vano batteria.
3. Sostituire il cappuccio del vano batteria e fissare stringendo il bullone, da fare ruotare in senso orario.

Nota: Non utilizzare insieme batterie vecchie e nuove. Sostituire sempre entrambe le batterie. Non utilizzare tipologie di batterie diverse tra loro.

ACCENSIONE

Rimuovere il coperchio di protezione sulla lente dell'obiettivo (7) dalla lente dell'obiettivo (6).

Premere il tasto ON (1) fino a che l'indicatore con il LED di colore verde (L1) non si accende. Lo schermo LCD all'interno dell'oculare (8) si accende.

MESSA A FUOCO

Puntare l'unità Equinox Night Vision sull'oggetto da osservare. Per mettere a fuoco, ruotare in primo luogo l'anello di regolazione delle diottrie dell'oculare (8) fino a che i bordi dello schermo rettangolare LCD non risultino all'occhio il più possibile nitidi. Fare quindi ruotare la lente dell'obiettivo mettendo a fuoco l'obiettivo (6) fino a che l'immagine osservata non risulti nitida. Per mettere a fuoco un altro oggetto ad una distanza diversa, è unicamente necessario regolare la lente dell'obiettivo mettendo a fuoco l'obiettivo (6), in quanto la regolazione delle diottrie è già ottimizzata per l'occhio dell'utente. Può essere necessario regolare nuovamente le diottrie la volta successiva in cui si utilizza l'unità Equinox oppure se l'oculare viene spostato accidentalmente.

SPEGNIMENTO

Per spegnere l'unità, premere e mantenere premuto il tasto ON (1) per circa 2 secondi fino a che l'indicatore a LED verde (L1) non si spegne. Riposizionare il coperchio di protezione della lente dell'obiettivo (7) prima di conservare o trasportare l'unità.

UTILIZZO DELL'ILLUMINATORE RI

In caso di utilizzo dell'unità in condizioni di totale oscurità, accendere l'illuminatore RI (10) premendo il tasto RI (2). Quando l'illuminatore RI è acceso, l'indicatore a LED rosso (L2) si accende.

Nota: La sorgente luminosa RI è invisibile ad occhio nudo, ma può essere vista da chi è dotato dei dispositivi per la visione notturna (da tenere presente in caso di impiego dell'unità per finalità di sorveglianza o di misure di sicurezza).

Per spegnere l'illuminatore RI, tenere premuto il tasto RI (2) per circa 3-4 secondi, fino a che l'indicatore a LED rosso (L2) non si spegne. (Attenzione: l'illuminatore RI non si arresta all'istante, ma si disattiva gradatamente). L'illuminatore RI si spegne inoltre quando l'unità viene spenta premendo e mantenendo premuto il tasto ON (1).

L'illuminatore RI si trova al livello massimo di luminosità quando viene acceso per la prima volta. Per diminuire la luminosità, tenere premuto il tasto RI (2) fino a raggiungere il livello desiderato di illuminazione, quindi rilasciare il tasto. Per aumentare la luminosità dell'illuminatore RI, in caso risulti eccessivamente basso, ripetere la procedura accendendo RI (per ripartire dal livello massimo) e tenere di nuovo premuto il tasto RI per alcuni istanti (laddove necessario) per regolare la luminosità al livello desiderato.

REGOLAZIONE DELLA LUMINOSITÀ DEL DISPLAY LCD

Per aumentare e diminuire la luminosità dello schermo LCD, premere e mantenere premuto il tasto della luminosità del LCD (3). Per invertire la direzione della regolazione della luminosità, rilasciare il tasto di luminosità del LCD (3) quindi premere e mantenere premuto il tasto fino a raggiungere il livello desiderato di luminosità, per consentire la migliore visualizzazione possibile.

Nota: Quando l'unità viene nuovamente accesa, la regolazione della luminosità dello schermo LCD sarà al medesimo livello della regolazione precedente.

CAMBIO DEL COLORE DEL DISPLAY LCD

Per cambiare il colore dello schermo LCD da verde a bianco oppure da bianco a verde, premere rapidamente il tasto per la modalità di colore della retroilluminazione del LCD (4).

INDICATORE BATTERIA SCARICA

Il LED verde (**L1**) inizia a lampeggiare quando la carica della batteria è inferiore a circa il 15% della capacità totale. Sostituire entrambe le batterie secondo quando indicato alla sezione "**Installazione batteria**".

PRESA USCITA VIDEO

Il dispositivo è dotato di una presa di uscita video (composita) analogica. Collegare il cavo video alla presa di uscita video (**11**) e a un dispositivo compatibile (VCR, camcorder, video monitor, interfaccia video computer, ecc.) per osservare da lontano o registrare l'immagine prodotta dall'unità Equinox Digital Night Vision. Inoltre, è in dotazione la presa di montaggio per il treppiede standard. **Cfr. "Specifiche" relative alla compatibilità del sistema video NTSC/PAL per leggere il numero del modello Equinox.**

PRESA ENTRATA ALIMENTAZIONE CC ESTERNA

Per collegare il dispositivo all'uscita di alimentazione a CC di un veicolo ("*presa accendisigari*"), inserire l'adattatore di alimentazione per il veicolo, in dotazione con il dispositivo, nella presa di ingresso per l'alimentazione CC a 5V (**12**) quindi collegare l'altro capo all'uscita di alimentazione del veicolo.

Avvertenza: Il voltaggio prodotto dal sistema elettrico del veicolo può variare da 12V a 24V in base al modello. Le unità Equinox Night Vision sono ideate per voltaggio in ingresso CC a 5V; evitare pertanto di collegare il dispositivo ad una uscita del veicolo utilizzando un adattatore aftermarket da 12V. Utilizzare unicamente l'adattatore di alimentazione fornito, dotato di convertitore da 12V-24V a 5V e di fusibile di sicurezza.

Nota: Per collegare il dispositivo alla presa elettrica CA da 120V, è possibile utilizzare un adattatore CA disponibile in commercio (NON INCLUSO), rispondente alle caratteristiche elencate nelle specifiche del presente manuale.

Avvertenza: Le batterie installate nel vano batteria del dispositivo non possono essere caricate quando il dispositivo viene collegato tramite sorgenti/adattatori esterni CA o CC.

RISOLUZIONE PROBLEMI

L'unità non si accende

1. Installare nuovamente le batterie, verificando che l'orientamento della polarità venga rispettato (terminali +/-).
2. Sostituire entrambe le batterie.
3. Pulire il vano batterie, in particolare i punti di contatto.

L'immagine osservata risulta troppo luminosa

Il livello di luce in ambiente è troppo elevato (*es. osservazione in caso di illuminazione solare forte*).

1. Spegnerne l'unità oppure posizionare il coperchio della lente dell'obiettivo (7) sulla lente. L'unità funzionerà normalmente in condizioni luminose al di sotto di 25.000 Lx (illuminamento).
2. Regolare la luminosità dello schermo LCD (cfr. "**Regolazione della luminosità del display LCD**" nel presente manuale di istruzioni).

L'immagine non viene riprodotta oppure non è a fuoco

1. Mettere nuovamente a fuoco regolando la lente dell'obiettivo (6). Regolare il livello di diottrie laddove necessario, facendo ruotare l'oculare (8) fino a che i bordi del display LCD non risultino nitidi (cfr. "Messa a fuoco" nel presente manuale di istruzioni).
2. Verificare le condizioni della superficie della lente dell'obiettivo (6) e dell'oculare (8) e pulire laddove necessario.
3. Sostituire le batterie.
4. In condizioni luminose estremamente basse, attivare l'illuminatore interno RI (10).

L'immagine scompare oppure risulta di qualità scarsa

Eventuali sorgenti luminose particolarmente forti (*es. lampioni notturni in strada*) possono causare una minore visibilità o un minore contrasto.

1. Allontanare il monoculare dalla fonte luminosa; nel giro di pochi istanti la visibilità tornerà a livelli normali.
2. Regolare nuovamente le impostazioni di luminosità del display LCD.

Sullo schermo compaiono dei puntini neri

La presenza di tali puntini è normale: si tratta di piccole imperfezioni derivanti dalla procedura di produzione del LCD e non

costituiscono un difetto o errore di controllo sulla qualità. La presenza di tali puntini non interferisce pertanto con l'affidabilità e i risultati del monoculare.

CURA E MANUTENZIONE

Il presente dispositivo Bushnell Equinox Digital Night Vision è stato progettato per garantire lunghi anni di funzionamento in tutta sicurezza. Per assicurare le massime prestazioni, seguire sempre le seguenti avvertenze e precauzioni:

- Tenere lo strumento lontano da condotti di riscaldamento e condizionamento o da altri apparecchi di riscaldamento, dalla luce solare diretta e dall'umidità.
- Conservare sempre l'unità all'interno della propria scatola in uno spazio asciutto e ben ventilato, con temperatura superiore a +15°C. Non conservare in prossimità di apparecchi di riscaldamento. Non conservare in prossimità della luce diretta del sole o in condizioni di elevata umidità (superiore al 70%).
- Pulire la lente ottica con gli strumenti di pulizia specifici per la lente di una fotocamera.
- Pulire l'esterno dell'apparecchio con un panno morbido e pulito.
- Rimuovere le batterie laddove lo strumento non venga utilizzato per diverse settimane.

AVVERTENZE E PRECAUZIONI

- Evitare che l'unità subisca cadute o urti violenti. Il presente apparecchio, sebbene sia stato progettato per l'uso in condizioni esterne rigide, contiene una circuiteria digitale sofisticata che potrebbe essere danneggiata in casi estremi di uso improprio.
- Non aprire l'apparecchio o tentare di ripararlo in alcun altro modo.
- Evitare di versare alcol o altri liquidi direttamente sulla superficie della lente.
- Non pulire le lenti e le superfici dell'unità con prodotti ricavati dalla carta, quali giornali, fogli di quaderni ecc... onde non danneggiare il rivestimento.
- Non rimuovere l'oculare in quanto il display LCD potrebbe subire danni.
- Non lasciare l'apparecchio esposto alla luce solare diretta o alla pioggia. L'unità è idrorepellente, ma non è ideata per l'esposizione prolungata all'umidità e non deve essere immersa in acqua.
- A seguito dell'utilizzo dell'unità a temperature sotto zero, attendere almeno 3 ore a temperatura ambiente al fine di evitare l'accumulo della condensa sulle superfici interne della lente e il conseguente annebbiamento causato da differenze estreme di temperatura.

Specifiche	260440 / 260441	260650 / 260651
Ingrandimento	4x	6x
Dimensioni dell'obiettivo	40mm	50mm
Tipo batteria	(2) al litio CR-123	
Portata di osservazione	738 ft / 225 m	984 ft / 300 m
Campo visivo a @ 100 yds/m	32 ft / 10m	23 ft / 14 m
Intervallo temperatura di funzionamento	+14 ~+113 F / -10 ~ +45 C	
Dimensioni (A x P x L)	65 x 100 x 164 mm	65 x 100 x 198 mm
Peso	13.0 oz / 370 g	19.9 oz / 564 g
Supporto treppiede	Yes	
Standard idrorepellente	IPX4	
Caratteristiche adattatore CA	Uscita 4,5-6,5V CC, 500-600 mA, polarità spina diametro 3,5mm=polo positivo	
Uscita video	NTSC (modello nn. 260440/260650) oppure PAL (modello nn. 260441/260651)	

Nota: il mancato rispetto delle avvertenze e precauzioni contenute nel presente manuale può causare danni all'unità e rendere invalida la garanzia del produttore.

Smaltimento di apparecchiature elettriche ed elettroniche

(Vigente presso i Paesi UE e altri Paesi europei con sistemi di raccolta differenziata dei rifiuti)

Il presente apparecchio componenti elettriche e/o elettroniche e non può pertanto essere smaltito come rifiuto domestico ordinario. Al contrario, dovrebbe essere smaltito presso punti di raccolta destinati al riciclaggio, in base alle istruzioni delle amministrazioni locali. Tale operazione non prevede alcun costo per l'utente.

Qualora l'apparecchio dovesse contenere batterie (ricaricabili) sostituibili, anche queste devono essere prima rimosse e, laddove previsto, smaltite in conformità alle normative specifiche (cfr. altresì i commenti specifici nelle presenti istruzioni sull'unità).

Per ulteriori informazioni su questa tematica, rivolgersi all'amministrazione locale, all'azienda incaricata della raccolta dei rifiuti o alla rivendita presso cui è stato acquistato l'apparecchio..



GARANZIA LIMITATA PER UNO ANNO

Si garantisce che questo prodotto Bushnell® sarà esente da difetti di materiale e fabbricazione per uno anno a decorrere dalla data di acquisto. In caso di difetto durante il periodo di garanzia, a nostra discrezione ripareremo o sostituiremo il prodotto purché sia restituito franco destinatario. Sono esclusi dalla garanzia eventuali danni causati da abuso, maneggiamento improprio, installazione o manutenzione eseguiti da persone non autorizzate dal servizio di assistenza Bushnell.

A un prodotto restituito e coperto da questa garanzia occorre allegare quanto segue.

- 1) Assegno/ordine di pagamento per l'importo di 10 \$US per coprire i costi di spedizione.
- 2) Nome e indirizzo da utilizzare per la restituzione del prodotto.
- 3) Una spiegazione del difetto.
- 4) Scontrino riportante la data di acquisto.
- 5) Il prodotto deve essere imballato in una scatola robusta, per prevenire danni durante il trasporto, e va spedito franco destinatario a uno dei seguenti indirizzi.

IN U.S.A. Send To:

Bushnell Outdoor Products
Attn.: Repairs
9200 Cody
Overland Park, Kansas 66214

IN CANADA Send To:

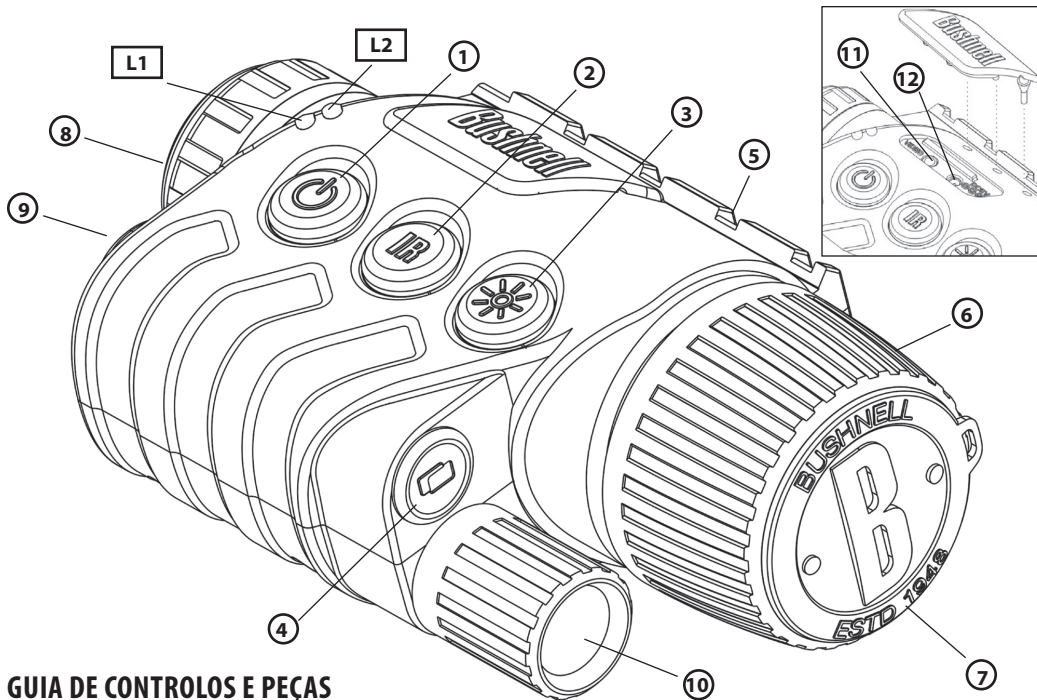
Bushnell Outdoor Products
Attn.: Repairs
25A East Pearce Street, Unit 1
Richmond Hill, Ontario L4B 2M9

Per prodotti acquistati fuori degli Stati Uniti o del Canada, rivolgersi al rivenditore per le clausole pertinenti della garanzia. In Europa si può anche contattare la Bushnell a questo numero:

Bushnell Germany GmbH
European Service Centre
Mathias-Brüggen-Str. 80
D-50827 Köln
GERMANY
Tél: +49 221 995568-0
Fax: +49 221 995568-20

Questa garanzia dà specifici diritti legali.
Eventuali altri diritti variano da una nazione all'altra.

©2013 Bushnell Outdoor Products



GUIA DE CONTROLOS E PEÇAS

ACERCA DO VISÃO NOCTURNA DIGITAL BUSHNELL® EQUINOX™

Congratulações pela compra do seu Visão Nocturna Digital Bushnell® Equinox™. Composto de electrónicos e ópticos de alta qualidade, o Bushnell Equinox é um sistema de visão nocturna digital que utiliza sensor de dispositivo de carga acoplada de luz baixa (CCD) que fornece resolução borda a borda e qualidade de imagem igual ou que excede unidades analógicas de "segunda geração" a qualquer faixa. Os ópticos completamente multi-revestimentos aumentam a transmissão de luz e diminuem a claridade. O micro monitor LCD apresenta modos de visão verde "tradicional" ou monocromo seleccionável pelo utilizador. Ambos os modelos Equinox são 20% de eficiência energética do que outras unidades de visão nocturna digital que aumenta a vida útil de bateria acima de 6 horas (sem IV). Os monóculos de Visão Nocturna Digitais Equinox 4x40 e 6x50 são versáteis o suficiente para diversas aplicações que incluem caça, campismo, pesca/passeio de barco, espeleologia, paintball, observação astronômica, resgate/recuperação, vigilância e protecção, aplicação da lei e gravação de vídeo sob condições de iluminação com mudança contínua – a partir do amanhecer até a escuridão absoluta. O modelo 4x40 Equinox tem um campo de visão de 10 jardas numa distância de observação de 100 jardas, ideal para visualizar objectos em movimento. As unidades do Visão Nocturna Digital Equinox incluem também uma saída de vídeo que permite ligação com um vídeo ou computador para gravar ou realizar monitoramento "ao vivo". Um trilho de montagem de acessório incorporado (5) permite que o utilizador anexe um laser (para pontaria) ou outros acessórios compatíveis.

COMO O VISÃO NOCTURNA DIGITAL FUNCIONA

Os produtos de Visão Nocturna Digital Bushnell captam luz através das lentes objectivas. A imagem é então processada através do módulo de sensor CCD sensível infravermelho de 1/3" e transferida para o monitor de cristal líquido (LCD). As imagens visualizadas no LCD são aumentadas 4 ou 6 vezes (dependendo do modelo). Os modelos de Visão Nocturna Digital Equinox são equipados com um iluminador IV (infravermelho) incorporado potente (10) que permite a visão nítida em condições de iluminação baixa ou até mesmo escuridão total.

INSTALAÇÃO DA BATERIA

1. Abra o compartimento da bateria (9) ao desparafusar o parafuso (sentido horário). Remova a tampa da bateria.
2. Instale duas baterias de lítio CR123 introduzidas com a polaridade na direcção mostrada na parede interna do compartimento da bateria.
3. Recoloque a tampa do compartimento, aperte o parafuso e vire-a no sentido horário para prendê-la.

Nota: Não misture baterias novas com antigas. Substitua ambas as baterias ao mesmo tempo. Não misture os tipos de baterias.

LIGAR A UNIDADE

Remova a tampa de protecção (7) da lente objectiva.

Prima o botão LIG (ON) (1) até que o indicador LED (L1) acenda. O ecrã LCD dentro da ocular (8) acenderá.

FOCAGEM

Direccione a unidade de visão nocturna Equinox para o objecto que pretende observar. Para focar, gire primeiro o anel de configuração do dióptero da ocular até que as bordas do ecrã LCD retangular apareça tão nítido quanto possível para sua vista. Gire depois o colar de focagem da lente objectiva (6) até que a imagem observada fique nítida. Para focar noutro objecto com distância diferente, terá somente que ajustar o colar de focagem da lente objectiva (6), enquanto a configuração do dióptero já está optimizada para sua visão individual. Pode ser necessário reajustar a configuração de dioptria na próxima vez que utilizar a unidade Equinox ou se movimentar a ocular acidentalmente.

DESLIGAR A UNIDADE

Para desligar a unidade, prima o botão LIG (ON) (1) por 2 segundos até que o indicador LED verde (L1) seja desligado. Substitua a tampa de protecção da lente objectiva (7) antes de armazenar ou transportar a unidade.

USO DO ILUMINADOR IV

Ao utilizar a unidade sob condições de escuridão completa, vire o iluminador IV (10) premindo o botão IV (2). Quando ligar o iluminador IV, o indicador LED vermelho (L2) acenderá.

Nota: A fonte de iluminação IV fica invisível a olho nú, mas pode ser vista por outras pessoas equipadas com os dispositivos de visão noturna (verifique se utiliza a unidade para vigilância ou aplicações da lei).

Para desligar o iluminador IV, segure o botão IV por aproximadamente 3-4 segundos até que o indicador LED (L2) seja desligado. (Observe que se o iluminador IV não for cortado instantaneamente, "desaparecerá"). O iluminador IV será também desligado quando desligar a alimentação da unidade premindo o botão LIG por alguns minutos (1).

O iluminador IV está na configuração máxima de brilho quando for ligado pela primeira vez. Para diminuir o brilho, segure o botão IV até que o nível desejado de iluminação seja obtido e depois liberte-o. Para aumentar o brilho do iluminador IV se o baixar muito, repita o processo e ligue o IV (para reiniciar da configuração máxima) e de novo segure o botão IV ligeiramente (se necessário) para ajustar o brilho para a configuração pretendida.

AJUSTE DO BRIHO DO ECRÃ LCD

Para aumentar e diminuir o brilho do ecrã LCD, prima e segure o botão de briho LCD. Para inverter a direcção do ajuste do briho, liberte o botão de brilho LCD e depois prima o botão até que o nível pretendido de brilho seja obtido para alcançar uma visão confortável.

Nota: Quando ligar a unidade de novo, a configuração do ecrã LCD será a mesma do nível conforme configurado previamente.

MUDAR A COR DO ECRÃ LCD

Para mudar a cor do ecrã LCD de verde para branco ou de branco para verde, prima rapidamente o botão de modo de cor de fundo do LCD (4).

INDICADOR DE BATERIA BAIXA

O LED verde (*L1*) começa a piscar quando a carga da bateria for menor do que aproximadamente 15% da capacidade total. Substitua ambas as baterias conforme instruções na "**Instalação de Bateria**".

CONECTOR DE SAÍDA DE VIDEO

O dispositivo é equipado com um conector de saída de vídeo (composto) analógica. Ligue o cabo de vídeo entre o conector de saída de vídeo (*11*) e um dispositivo compatível (VCR, camcorder, monitor de vídeo, interface de vídeo de computador, etc.) para observar ou gravar remotamente a imagem produzida com a unidade de visão noturna digital Equinox. É fornecido um soquete de montagem de tripé padrão. **Veja "Especificações" sobre a compatibilidade do sistema de vídeo NTSC/PAL para seu número de modelo Equinox.**

CONECTOR EN DE ALIMENTAÇÃO CD EXTERNA

Para ligar o dispositivo numa saída CD de veículo ("*soquete de acendedor*"). ligue o adaptador de alimentação do veículo incluído com o dispositivo, no conector de entrada de alimentação CD de 5V (*12*) e ligue a outra extremidade na saída de alimentação de veículo.

Aviso: A tensão produzida com o sistema elétrico do veículo pode variar de 12V a 24V, conforme o modelo. As unidades de visão noturna Equinox são desenhadas para a tensão de entrada CD de 5V e, portanto, não ligue o dispositivo na saída do veículo com o adaptador 12V de reposição. Utilize somente o adaptador de alimentação fornecido, que é equipado com um conversor de 12V-24V a 5V e fusível de segurança.

Nota: Para ligar o dispositivo na ficha de parede CA doméstica de 120V, pode utilizar qualquer adaptador CA comercialmente disponível (não incluso) que satisfaz os requisitos listados na lista de especificações deste manual.

Aviso: As baterias instaladas no compartimento da bateria do dispositivo não podem ser carregadas quando ligar o dispositivo através das fontes/adaptadores de alimentação CA ou CD.

SOLUÇÃO DE PROBLEMAS

A unidade não liga

1. Reinstale as baterias e verifique a orientação (terminais -/+) da polaridade correcta.
2. Substitua ambas as baterias.
3. Limpe o compartimento da bateria, especialmente os pontos de contacto.

A imagem vista é muito clara

O nível de iluminação ambiente é muito alto (*ex. observação durante condições de iluminação solar clara*).

1. Desligue a unidade ou coloque a tampa da lente da objectiva (7) sobre a lente. A unidade funcionará normalmente sob condições de iluminação abaixo de 25.000 Lx (luz diurna).
2. Ajuste o brilho do ecrã LCD (*veja "Ajustar o brilho do ecrã LCD" neste manual de instruções*).

A imagem está perdida ou não está focada

1. Ajuste a lente objectiva e foque de novo no objecto (6). Ajuste a configuração de dioptria, se necessário, e gire a ocular até que as bordas do ecrã LCD fiquem nítidas (*veja "Focagem" neste manual de instruções*).
2. Verifique as condições da superfície da lente objectiva (6) e ocular e limpe-as se necessário.
3. Substitua as baterias.
4. Sob condições de iluminação baixa, active o iluminador IV incorporado (10).

A imagem desaparece ou sua qualidade é reduzida

As fontes de iluminação claras (*ex. iluminação de rua durante a noite*) podem causar visibilidade ou contraste reduzido.

1. Vire o monóculo distante da fonte de iluminação; a visibilidade retornará momentaneamente.
2. Reajuste a configuração de brilho do ecrã LCD.

Pontos pretos pequenos são visíveis no ecrã

Os pontos pequenos são manchas cosméticas pequenas gerados do processo de fabrico do LCD e não são considerados defeitos ou erro de controlo de qualidade. Estes pontos não interferem com a capacidade e desempenho do monóculo.

CUIDADO E MANUTENÇÃO

Seu aparelho de Visão Noturna Digital Bushnell foi desenhado para fornecer uma vida útil longa de funcionamento correcto. Para assegurar a funcionalidade máxima de seu aparelho de Visão Noturna Digital siga sempre os avisos e precauções seguintes.

- Mantenha o aparelho distante de quaisquer ventilações de ar condicionado ou aquecimento, luz solar directa e humidade.
- Armazene sempre a unidade na sua caixa de transporte num espaço ventilado e seco com temperatura acima de 15°C (60° F). Não armazene próximo de dispositivos de aquecimento. Não armazene sob condições de humidade alta ou luz solar directa (mais alta do que 70%).
- Limpe a lente óptica com os produtos de limpeza de lente da câmara.
- Limpe o exterior do dispositivo com um tecido macio.
- Remova as baterias se o dispositivo não for utilizado por mais tempo do que algumas semanas.

AVISOS E PRECAUÇÕES

- Evite deixar a unidade cair ou sofrer algum tipo de choque. Embora desenhado para ser utilizada externamente, este dispositivo incorpora um circuito digital sofisticado que pode ser danificado em casos de utilização extrema.
- Não abra o corpo do dispositivo ou tente repará-lo.
- Nunca coloque álcool ou qualquer líquido directamente na superfície da lente.
- Não limpe as superfícies da lente e unidade com produtos de papel: tais como jornal, papel de livro, etc. para evitar danificar o revestimento.
- Evite remover a ocular para não danificar o ecrã LCD.
- Não deixe o dispositivo sob luz solar directa ou chuva. A unidade é impermeável, mas não suporta exposição prolongada a humidade e não pode ser submersa em água.
- Depois que operar a unidade sob temperatura abaixo de zero, aguarde pelo menos 3 horas a temperatura ambiente e evite acúmulo de condensação nas superfícies da lente interna e embaçamento consequente causado por diferenças de temperatura extrema.

ESPECIFICAÇÕES	260440 / 260441	260650 / 260651
Aumento	4x	6x
Tamanho da Objectiva	40mm	50mm
Tipo de Bateria	(2) CR-123 de lítio	
Faixa de Visão	738 ft / 225 m	984 ft / 300 m
Campo de visão @ 100 jardas/m	32 ft / 10m	23 ft / 14 m
Faixa de Temperatura de Operação	+14 ~+113 F / -10 ~ +45 C	
Dimensão (A x L x C)	65 x 100 x 164 mm	65 x 100 x 198 mm
Peso	13.0 oz / 370 g	19.9 oz / 564 g
Tripé Montável	Sim	
Padrão de Impermeabilidade	IPX4	
Requisitos de Adaptador CA	Saída CD 4,5-6,5V, 500-600 mA, polaridade de conector de diâmetro de 3,5 mm = ponta positiva	
Saída de Vídeo	NTSC (Modelos 260440/260650) ou PAL (Modelos 260441/260651)	

Nota: Se deixar de seguir os avisos e precauções, conforme definido neste manual, pode danificar a unidade e afectar a garantia do fabricante.

Eliminar Equipamento Eléctrico e Electrónico

(Aplicável na CE e outros países europeus com sistemas separados de recolha)

Este equipamento contém peças eléctricas e/ou electrónicas e não devem ser eliminadas como detrito doméstico regular. Em vez disso, deve ser eliminada nos pontos de recolha respectivos para reciclagem fornecida pelas comunidades. Para você, isto é grátis.

Se o equipamento contiver baterias intercambiáveis (recarregável), devem ser removidas antes e, se necessário, em vez de ser eliminada de acordo com regulamentos relevantes (veja também os comentários respectivos nestas instruções de unidade).

Mais informações sobre o objecto está disponível na sua administração de comunidade, sua empresa de recolha de detrito ou na loja onde comprou este equipamento.



GARANTIA LIMITADA DE UM ANO

Garantimos que seu produto Bushnell® estará isento de defeitos materiais e de fabricação. por um ano após a data de aquisição. Caso tenha algum um defeito sob esta garantia, iremos a nossa opção, consertar ou trocar este produto desde que o produto seja devolvido com porte pago. Esta garantia não abrange danos causados por uso indevido, operação, instalação, ou manutenção incorretas efetuadas a não ser que seja do Departamento do Serviço de Manutenção Autorizada da Bushnell.

Qualquer devolução efetuada sob esta garantia deve incluir os itens relacionados a seguir:

- 1) Um cheque/ordem de pagamento no montante de \$10,00 para cobrir as despesas de porte e gastos administrativos
- 2) Nome e endereço para a devolução do produto
- 3) Uma explicação do defeito
- 4) Comprovante da Data de Aquisição
- 5) O produto deve ser cuidadosamente embalado, numa caixa de papelão resistente para prevenir danos enquanto em trânsito e enviado para os endereços indicados a seguir com porte de devolução pago:

NOS EUA REMETER PARA:

Bushnell Outdoor Products
Attn.: Repairs
9200 Cody
Overland Park, Kansas 66214

NO CANADÁ REMETER PARA:

Bushnell Outdoor Products
Attn.: Repairs
25A East Pearce Street, Unit 1
Richmond Hill, Ontario L4B 2M9

Para produtos adquiridos fora dos Estados Unidos ou do Canadá favor contatar seu revendedor local quanto a informações aplicáveis referentes a sua garantia. A Bushnell também pode ser contatada na Europa pelo telefone:

Bushnell Germany GmbH
European Service Centre
Mathias-Brüggen-Str. 80
D-50827 Köln
GERMANY
Tél: +49 221 995568-0
Fax: +49 221 995568-20

Esta garantia lhe dá direitos legais específicos.
Poderá ter outros direitos que podem variar de país para país.

©2013 Bushnell Outdoor Products

Bushnell[®]

©2013 Bushnell Outdoor Products
(800) 423-3537 • www.bushnell.com