

**BAUSCH
& LOMB**

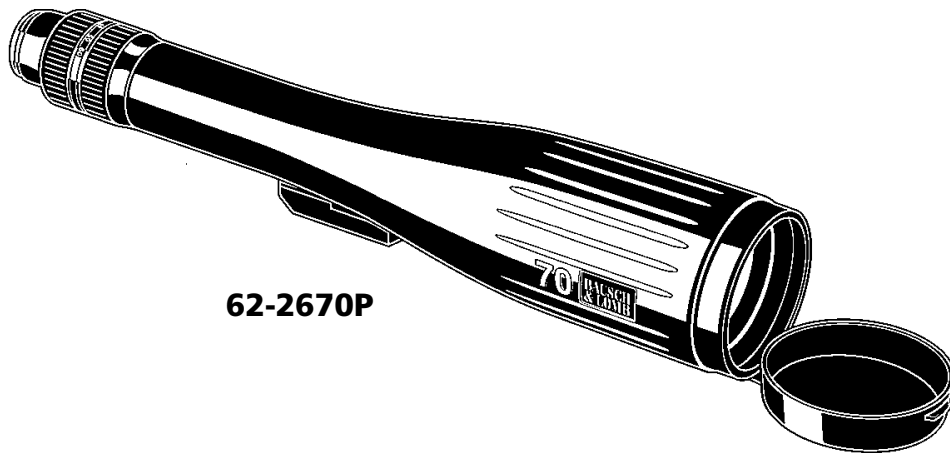
SPOTTING SCOPES

ELITE®

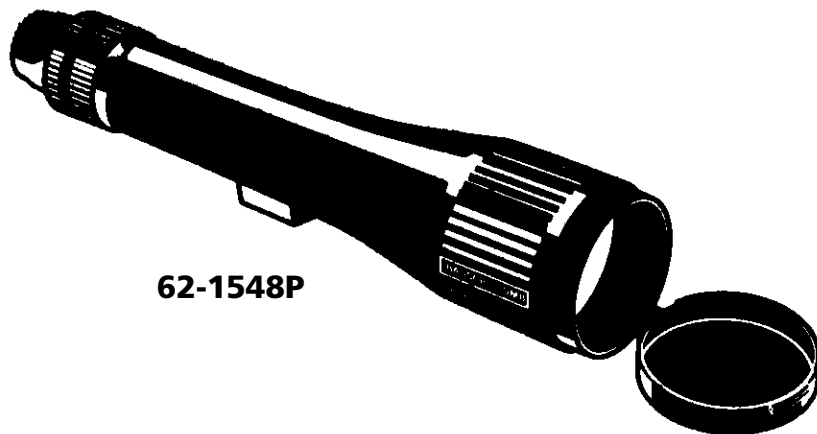
Spotting Scope Instructions

Congratulations on your purchase of a Bausch & Lomb Elite spotting scope. The Elite spotting scope is one of the finest, most versatile optical spotting scopes in the world. The Elite spotting scope is completely waterproof, fogproof, and designed to meet the demands of the serious sportsman and naturalist.

The following instructions should be followed closely to assure sharp, clear observations.



62-2670P



62-1548P

MOUNTING

The Elite field tripod mount provides a convenient means of fastening to any tripod, car window mount, or shooter's stand. For best viewing results, mount your Elite on a firm support to prevent movement of the scope. Movement makes the viewed scene appear to dance or vibrate at high magnifications. A firm mount will also help you to locate, rack and keep objects in the field of view.

FOCUSING

The Elite spotting scope will focus from 30 feet to infinity at any power. The depth of field (visual distance over which the image is seen in sharp focus), and the are covered, is greater at the lower powers. However, if the instrument is initially focused at a low power you may find that additional focus adjustment is required as power is increased.

Some users may have difficulty refocusing after zooming rapidly to a higher power. This can be caused by the eye's inability to adjust quickly enough to the new magnification. It will help to look away momentarily, then resume focusing.

USE WITH EYEGLASSES

The Elite spotting scope is designed with the longest practical eye relief possible. (Eye Relief is the distance from the eye to the eyepiece at which a full field of view is seen). The Elite is equipped with a rubber eyeguard to eliminate the possibility of scratching plastic eyeglass lenses.

CHANGING POWER

The variable power Elite provides a variable power range. To change magnification, rotate the power change to the desired power as indicated by the gold engraved scale.

As you zoom from low power to high power under low light conditions, you may notice a decrease in image brightness. This is normal. All magnifying optical instrument show a decrease in image brightness as magnification is increased.

CASE

The Bausch & Lomb Elite spotting scope comes complete with a specially designed canvas carrying case. The case is provided for protection of the Elite. When in the field, a tripod is not always convenient, so the case can be unzipped and used to dampen sound as the Elite is placed on a rock or against a tree for long range viewing.

CARE

The lenses of the Elite spotting scope are fully multi-coated to provide the highest light transmission possible. As with any optical coating, special care must be taken in cleaning the lenses. Moisten surface of lens slightly and wipe dry sing a circular motion starting at the center of the lens. Wipe or brush off any dirt or dust on the outside of the spotting scope.

CAUTION

The Bausch & Lombs Elite spotting scope is fully sealed and dry nitrogen purged to make it completely waterproof and fogproof. Do NOT disassemble the spotting scope. Unauthorized disassembly not only voids the warranty, but will result in destruction of the waterproof seals.

ELITE ACCESSORIES

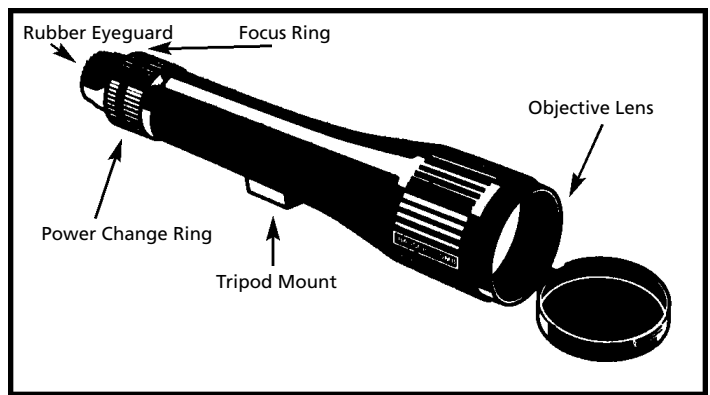
(not included with this purchase)

Car Window Mount (model 78-4405)

Shooter's Stand Tripod (model 78-3011)

Field Tripod (model 78-3001)

Table Top Tripod (model 78-3012)



WARRANTY/REPAIR

SPOTTING SCOPE LIFETIME LIMITED WARRANTY

Your spotting scope is warranted to be free of defects in materials and workmanship for the lifetime of the original owner. The Lifetime Limited Warranty is an expression of our confidence in the materials and mechanical workmanship of our products and is your assurance of a lifetime of dependable service. In the event of a defect under this warranty, we will, at our option, repair or replace the product, provided that you return the product postage prepaid. This warranty does not cover damages caused by misuse or improper handling, installation or maintenance of the product.

Any return made under this warranty must be accompanied by the items listed below:

- 1)A check in the amount of \$10.00 to cover the cost of handling
- 2)Name and address for product return
- 3)An explanation of the defect
- 4)Product should be well packed in a sturdy outside shipping carton to prevent damage in transit and return postage prepaid to the address listed below:

IN U.S.A. Send To:

Bushnell Performance Optics
8500 Marshall Drive
Lenexa, Kansas 66214

IN CANADA Send To:

Bushnell Performance Optics
25A East Pearce Street, Unit 1
Richmond Hill, Ontario L4B 2M9

For products purchased outside the United States and Canada please contact your local dealer for applicable warranty information. This warranty gives you specific legal rights. You may have other rights which vary from country to country.