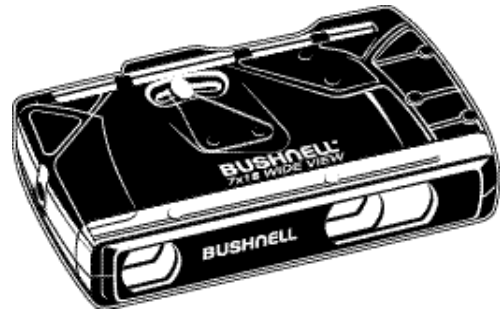


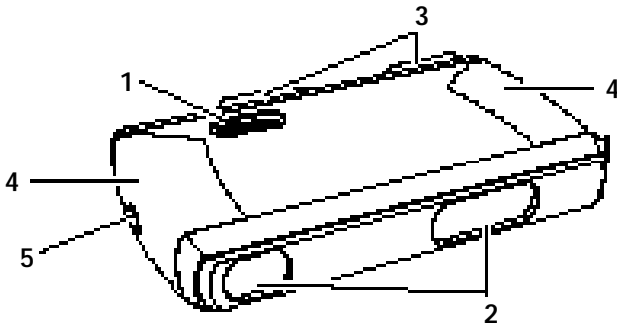


next view™ binoculars



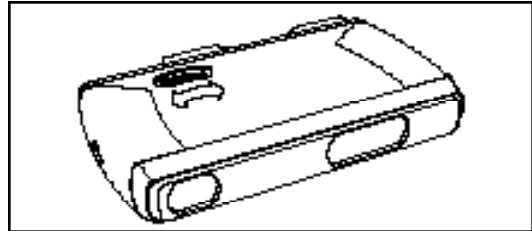
NAMES OF PARTS

1. Focus Adjustment Lever
2. Objective Lens
3. Eyepiece
4. Grips
5. Neck Strap Eyelet



FOCUSING

Look through the binoculars and slide the focusing lever until the subject becomes sharp.



CAUTION:

Never look at the sun through your binoculars. This may damage your eyes.

CARE AND STORAGE

Do not touch lens surfaces with your fingers. To clean a lens surface, gently brush away dirt particles and clean with a soft, dry cloth. The front objective lenses are protected by a shield which can be cleaned with a slightly moistened soft cloth.

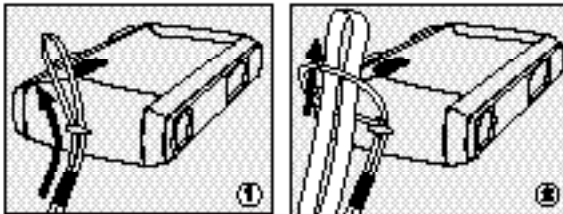
Protect your binoculars from impact damage.

Your binoculars are weather resistant, but avoid exposing them to harsh weather conditions such as extreme temperatures, salt water spray or other obviously detrimental environments. Best storing environment is in a cool, dry place.

Never attempt to disassemble your binoculars. Return to Bushnell for repair or replacement under the One Year Guarantee program.

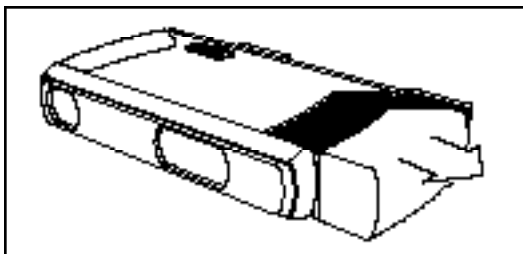
STRAP

Attach neck strap by threading end through Neck Strap Eyelet and then back through itself.



INTERPUPILLARY ADJUSTMENT

To adjust the binoculars for the distance between your eyes, look through the binoculars at a distant subject while gently sliding binoculars in and out until you see a single rectangular image.



ONE YEAR LIMITED WARRANTY

Your Bushnell® binocular is warranted to be free of defects in materials and workmanship for one year from the original date of purchase. The One Year Limited Warranty is an expression of our confidence in the materials and mechanical workmanship of our products and is your assurance of dependable service. In the event of a defect under this warranty, we will, at our option, repair or replace the product, provided that you return the product postage prepaid. This warranty does not cover damages caused by misuse or improper handling, installation or maintenance of the product.

Any return made under this warranty must be accompanied by the items listed below:

- 1) A check in the amount of \$4.95 to cover the cost of handling
- 2) Name and address for product return
- 3) An explanation of the defect
- 4) Product should be well packed in a sturdy outside shipping carton to prevent damage in transit and return postage prepaid to the address listed below:

IN U.S.A. Send To:
Bushnell Performance Optics
8500 Marshall Drive
Lenexa, Kansas 66214

IN CANADA Send To:
Bushnell Performance Optics
25A East Pearce Street, Unit 1
Richmond Hill, Ontario L4B 2M9

For products purchased outside the United States and Canada please contact your local dealer for applicable warranty information. This warranty gives you specific legal rights. You may have other rights which vary from country to country.